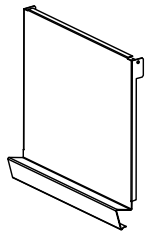
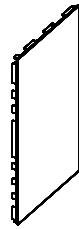


293737.33XX



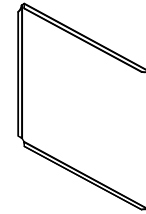
① x 1



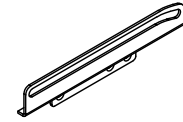
② x 2



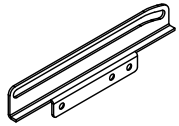
③ x 2



④ x 3



⑤ x 1



⑥ x 1



⑦ x 4

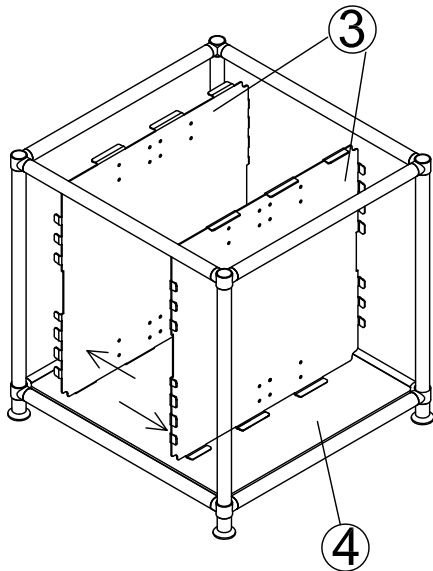


⑧ x 2



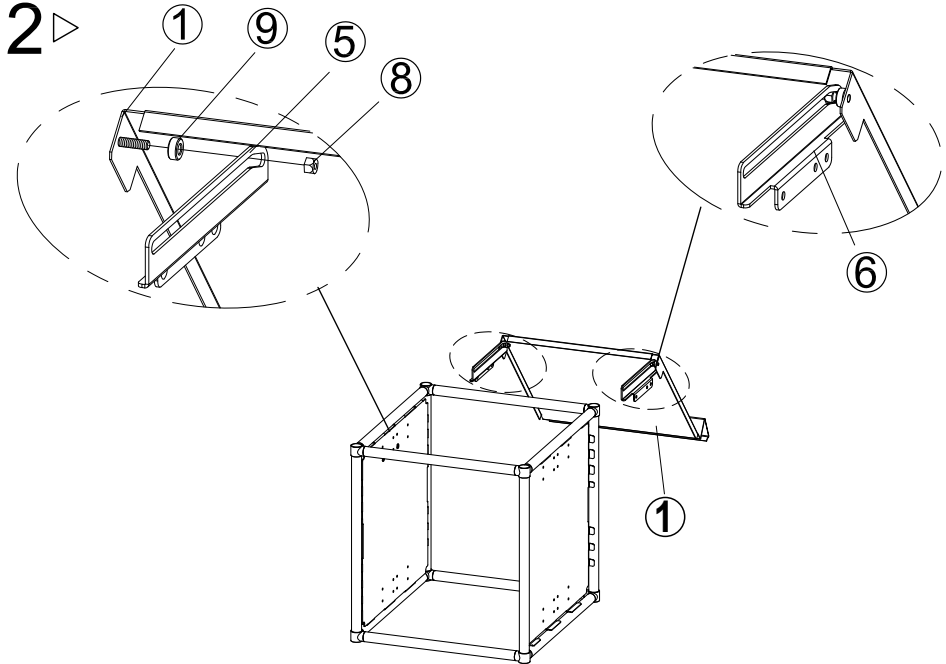
⑨ x 2

1 ▶



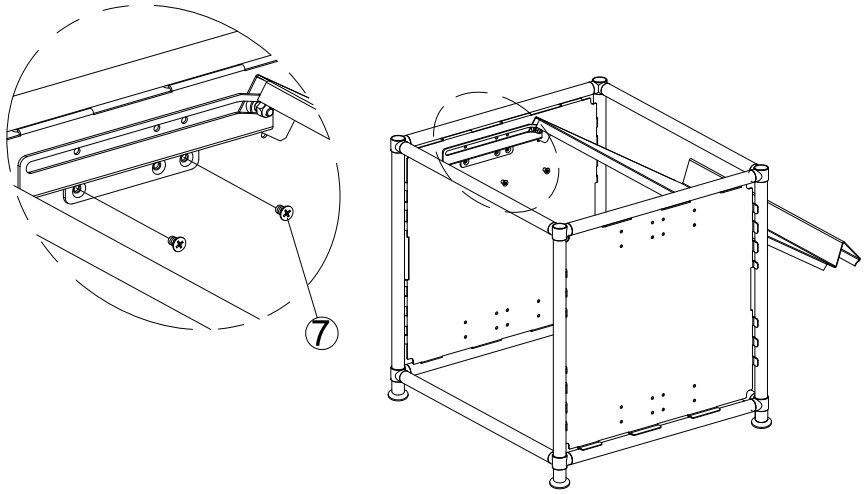
④ x 1 ③ x 2

2 ▶



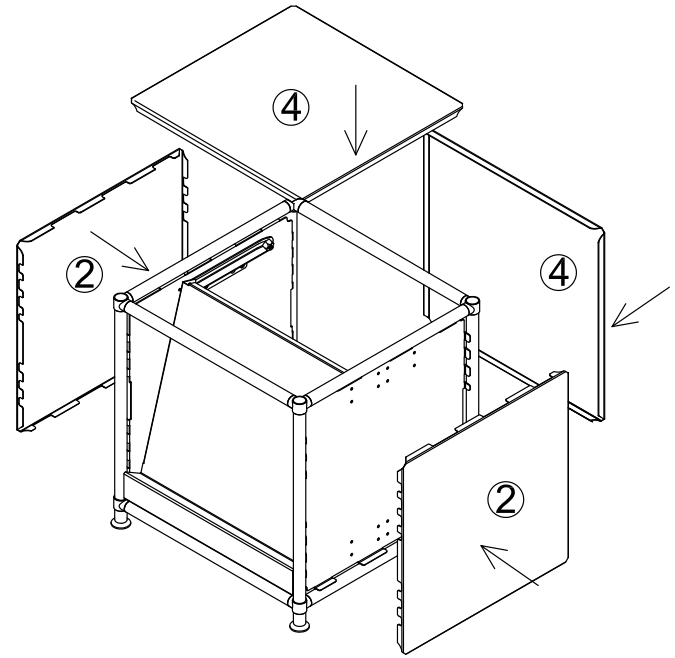
① x 1 ⑤ x 1 ⑥ x 1 ⑧ x 2 ⑨ x 2

3▷



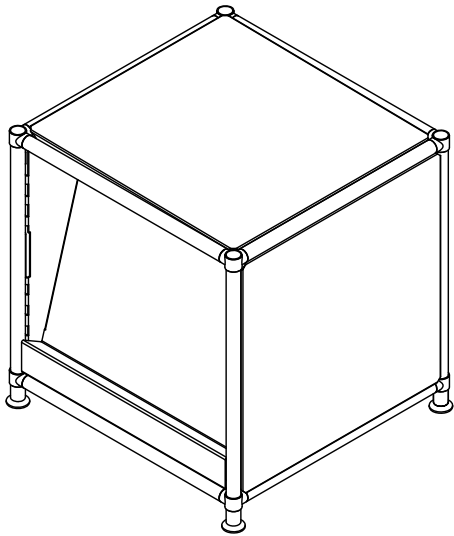
⑦ x 4

4▷



② x 2 ④ x 2

5▷



6▷

