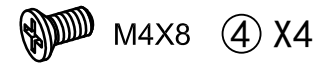
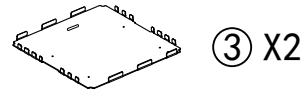
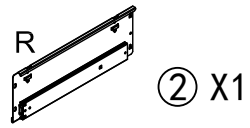
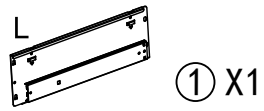
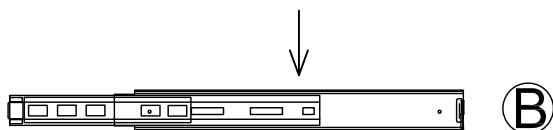
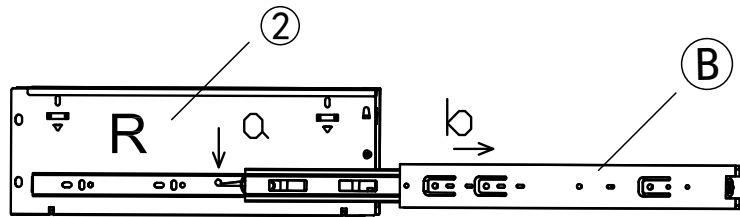
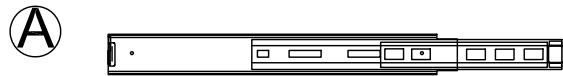
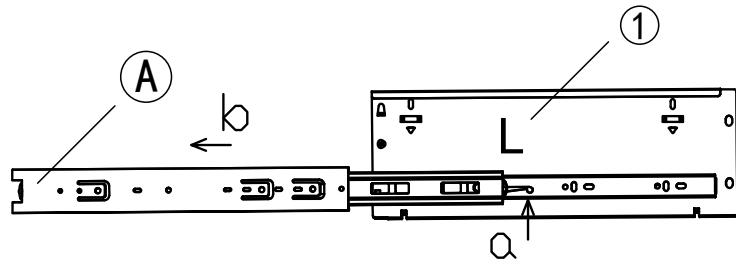


233737.9510

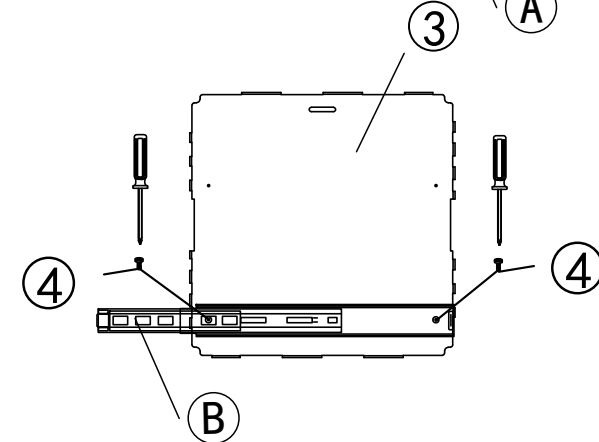
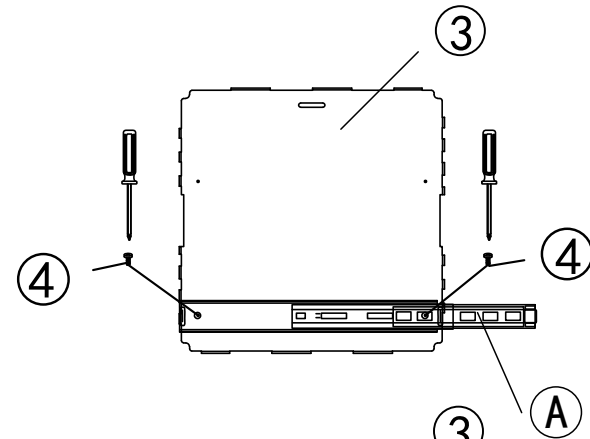


1▷



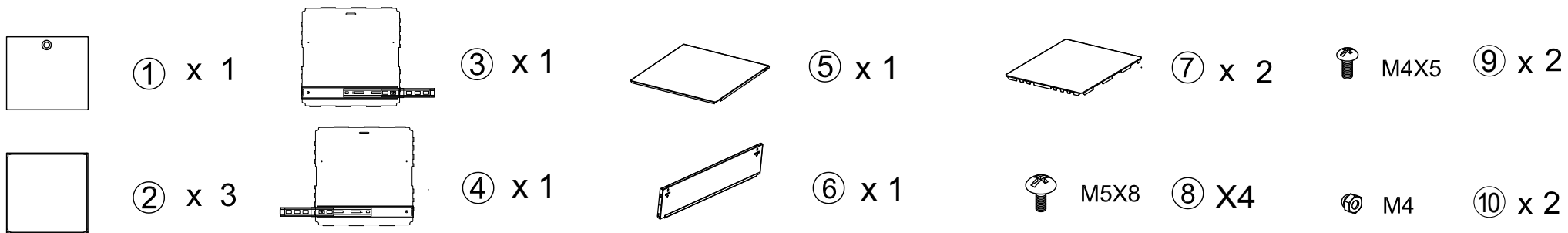
① X1 ② X1

2▷

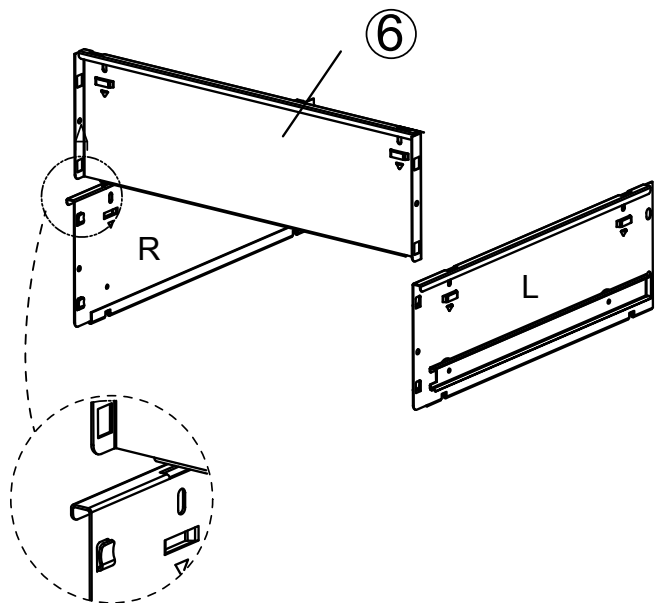


③ X2 ④ X4

# 233737. 42xx

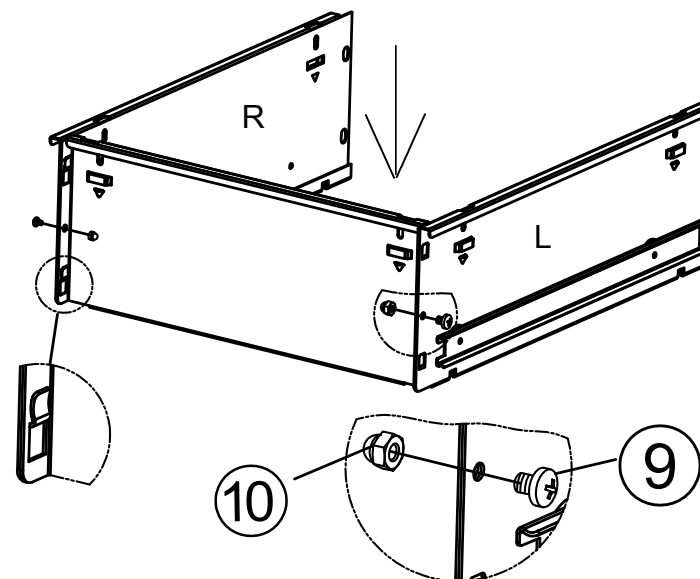


1▷



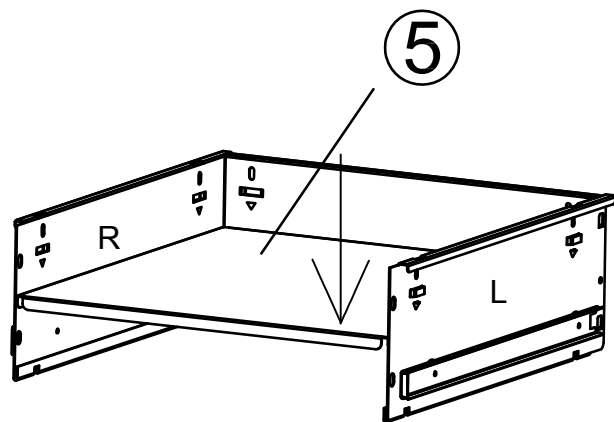
⑥ X 1

2▷



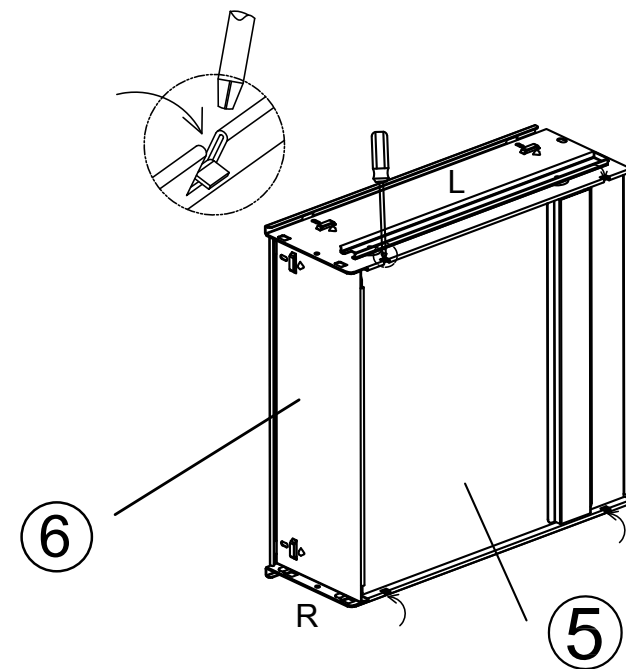
⑨ X2 ⑩ X2

3▷

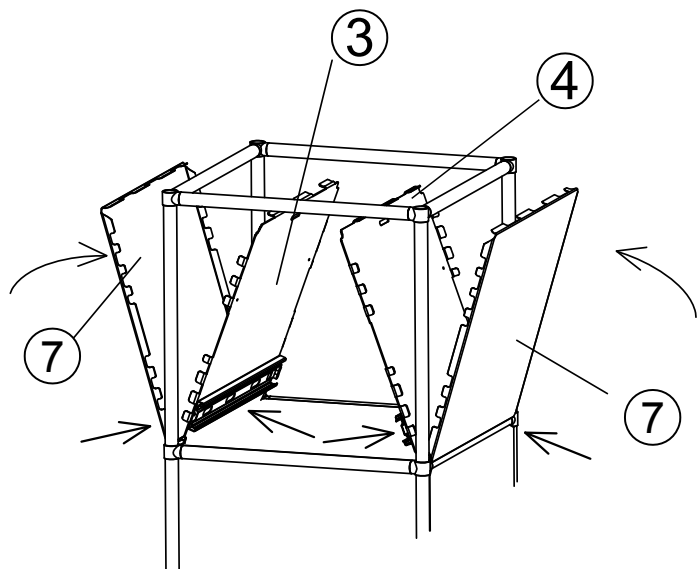


⑤ X1

4▷

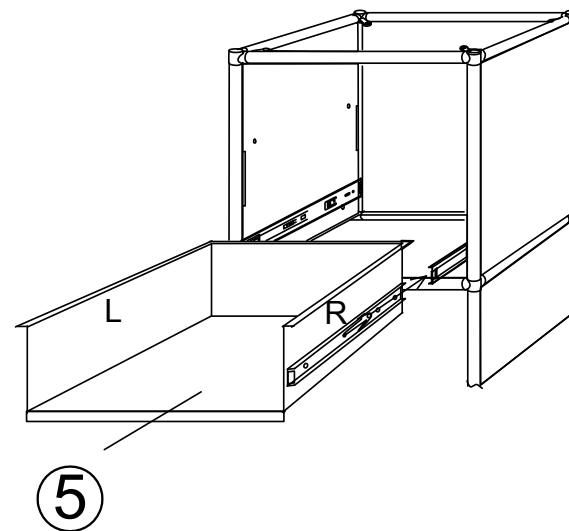


5▷

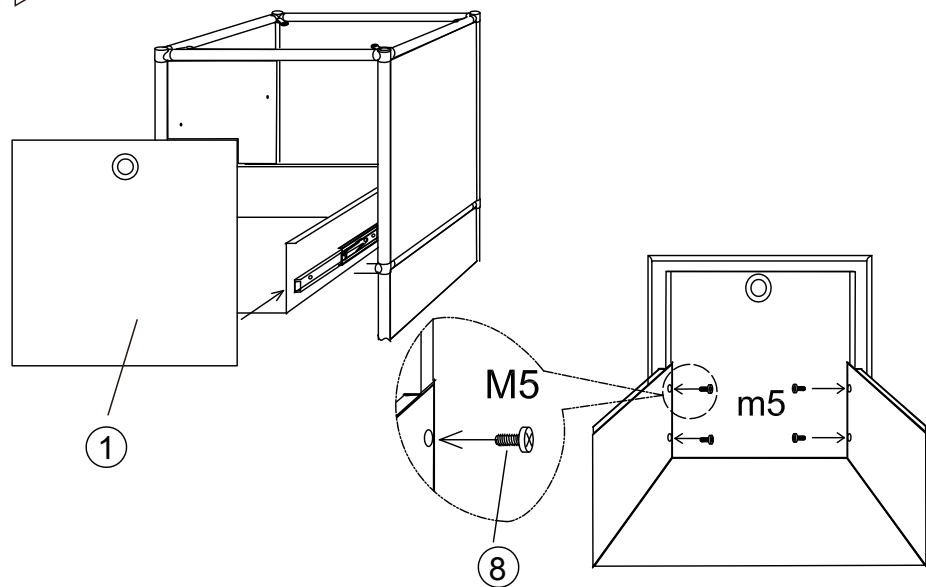


③ X1 ④ X1 ⑦ X2

6▷

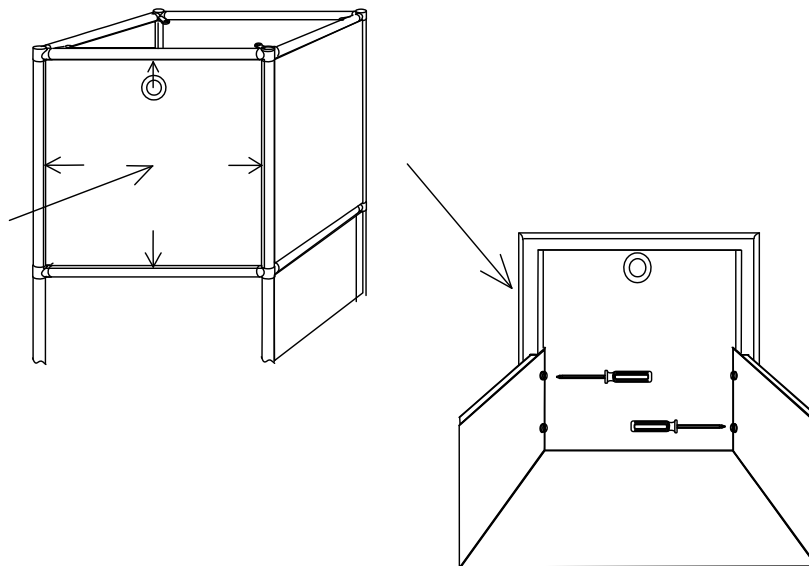


7 ▷

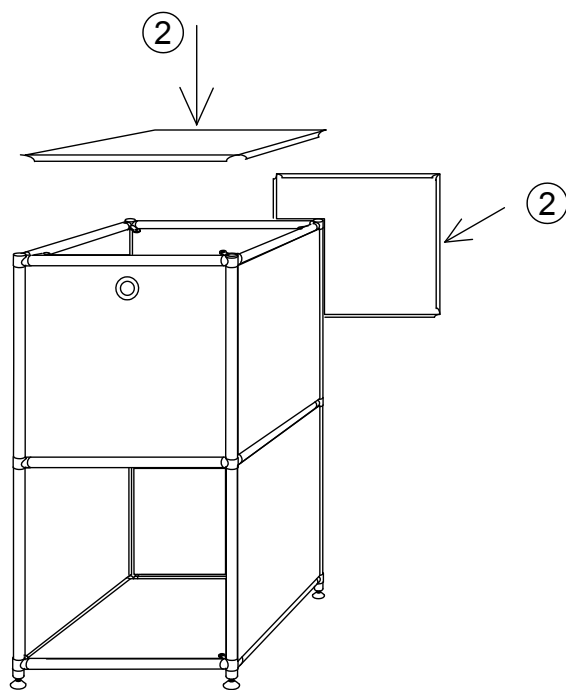


① X1 ⑧ X4

8 ▷

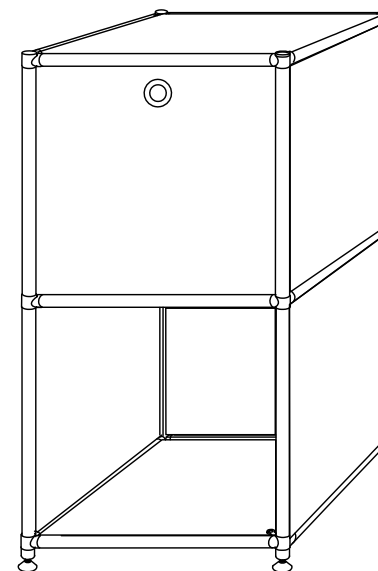


9 ▷

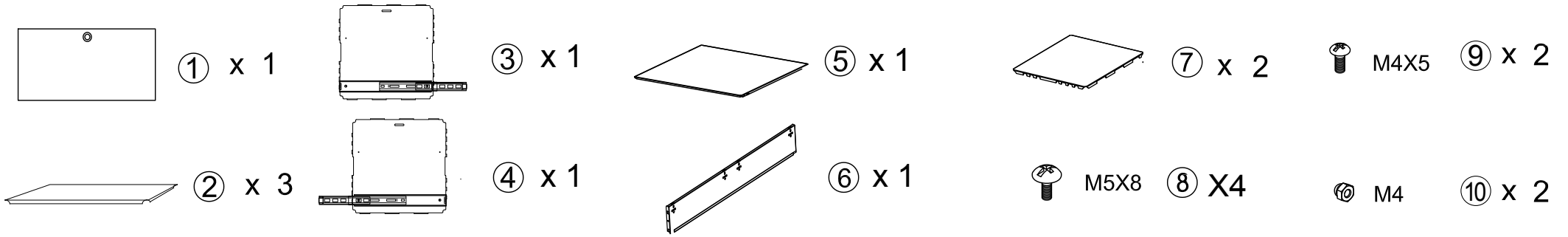


② X3

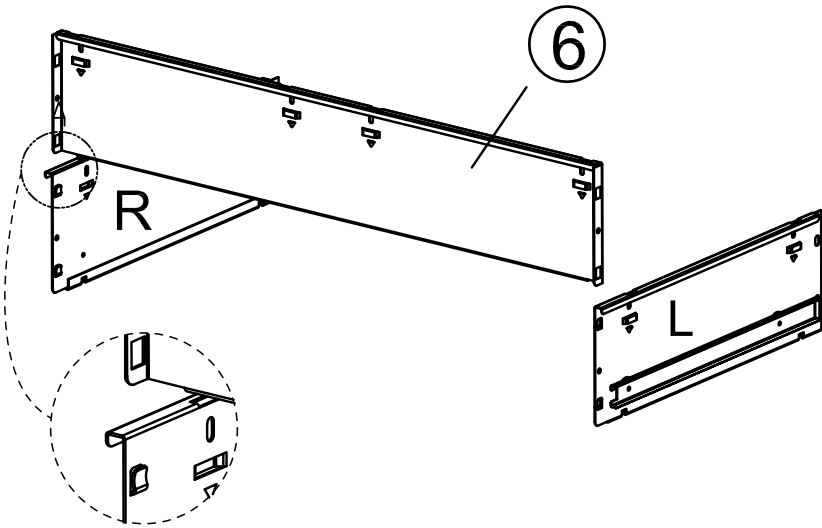
10 ▷



# 233775.42XX

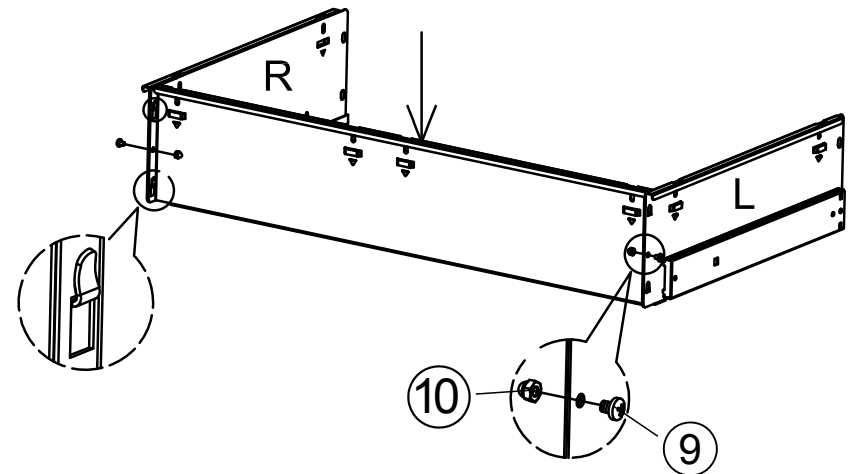


1▷



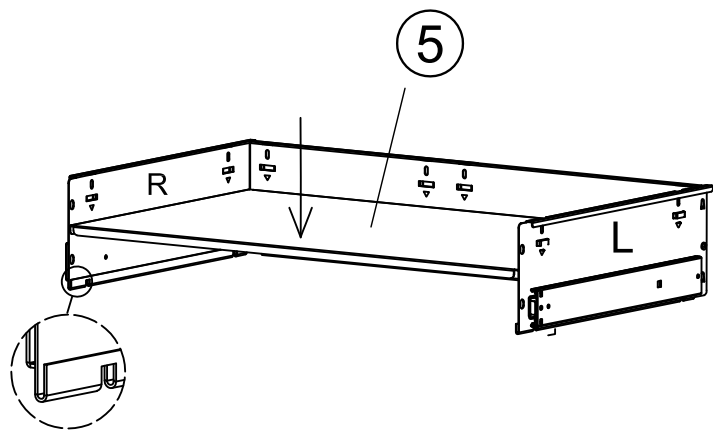
⑥ X1

2▷



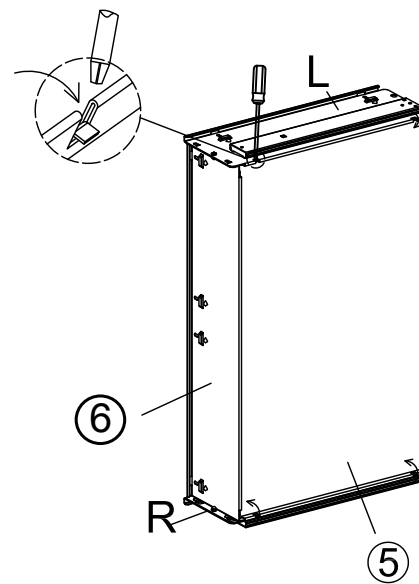
⑨ X2 ⑩ X2

3▷

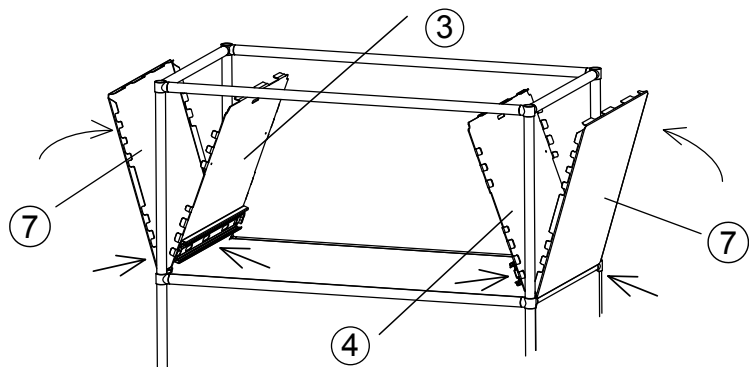


⑤ X1

4▷

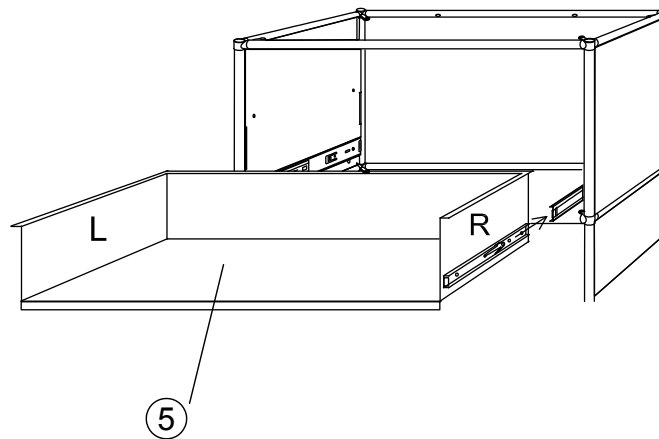


5▷

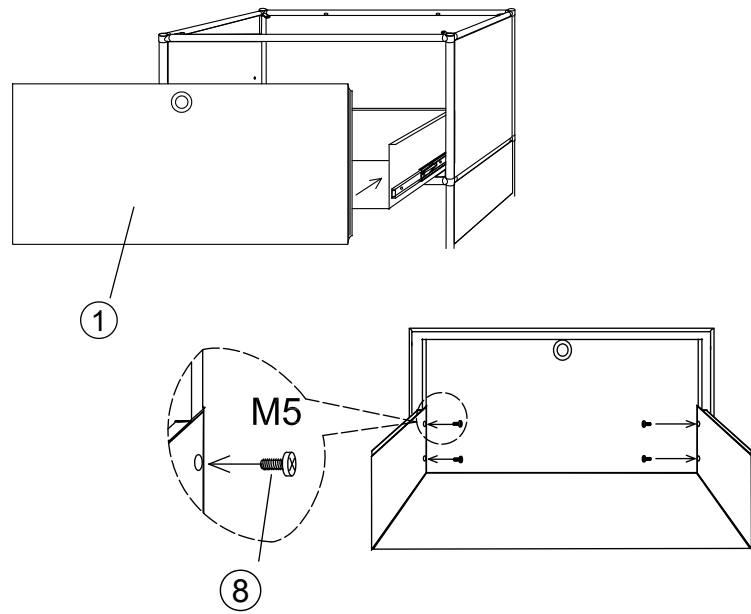


③ X1 ④ X1 ⑦ X2

6▷

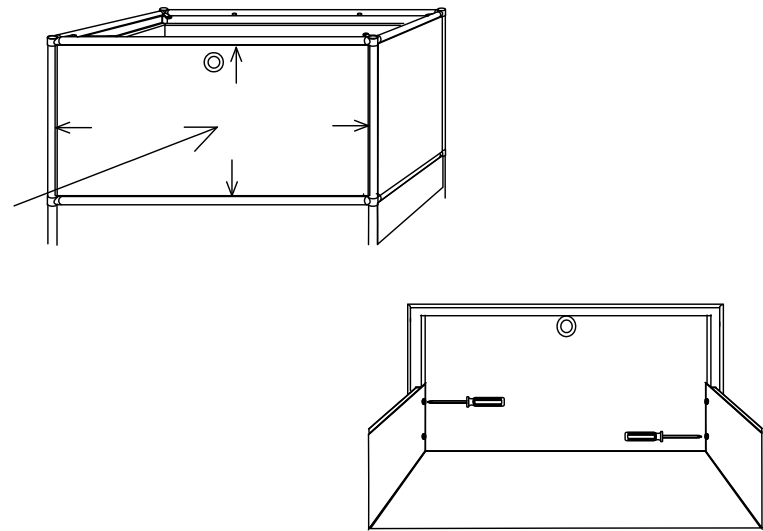


7 ▷

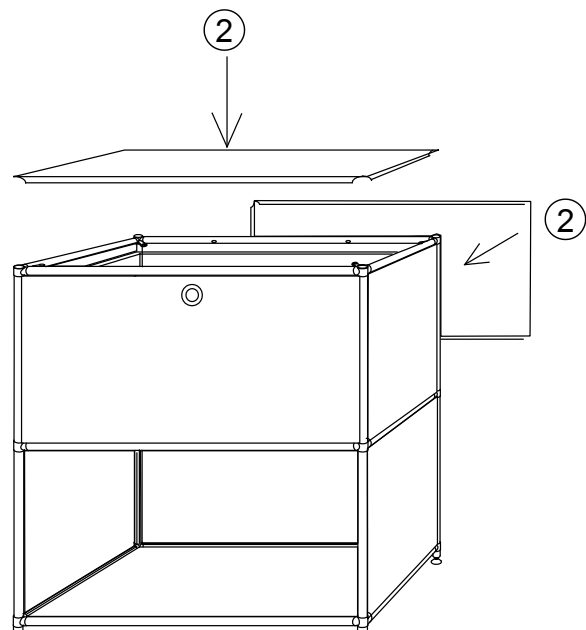


① X1 ⑧ X4

8 ▷



9 ▷



② X3

10 ▷

