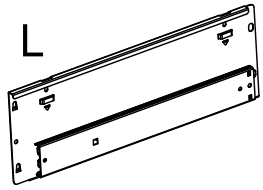
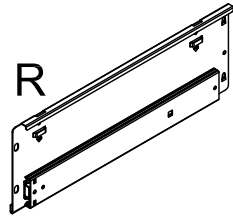


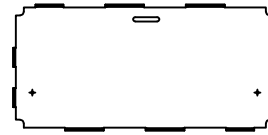
231837. 9210



① x 1



② x 1



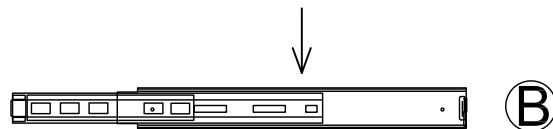
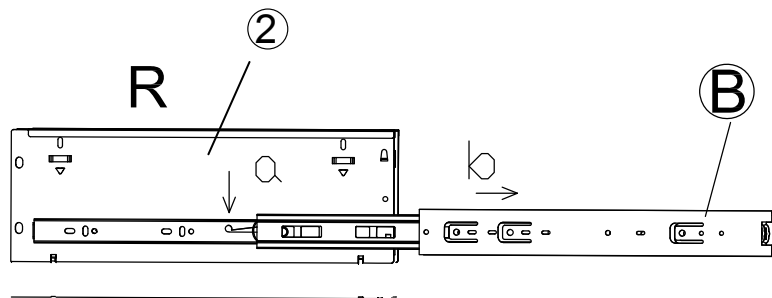
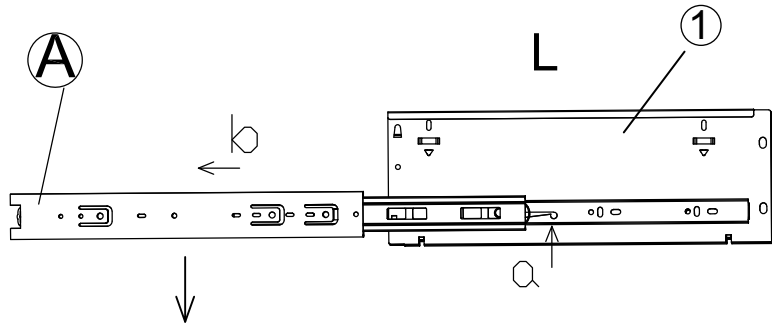
③ x 2



M4X8

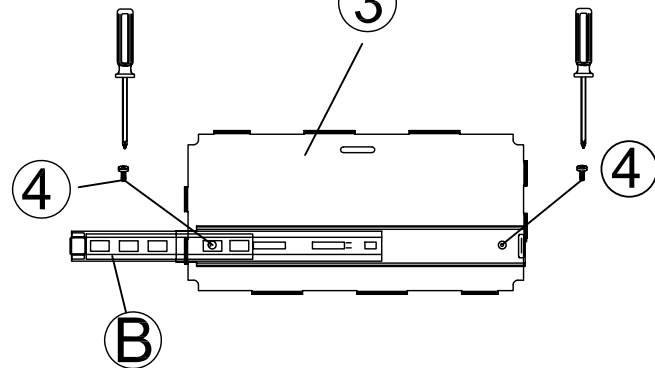
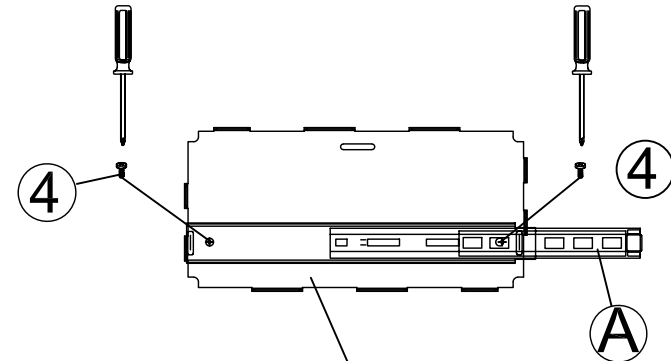
④ x 4

1▷



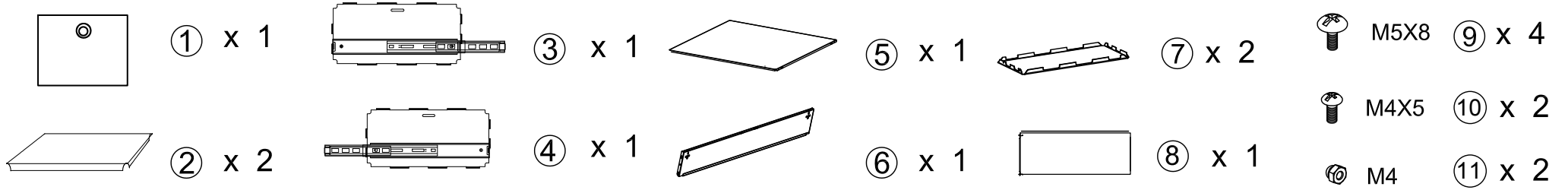
① x 1 ② x 1

2▷

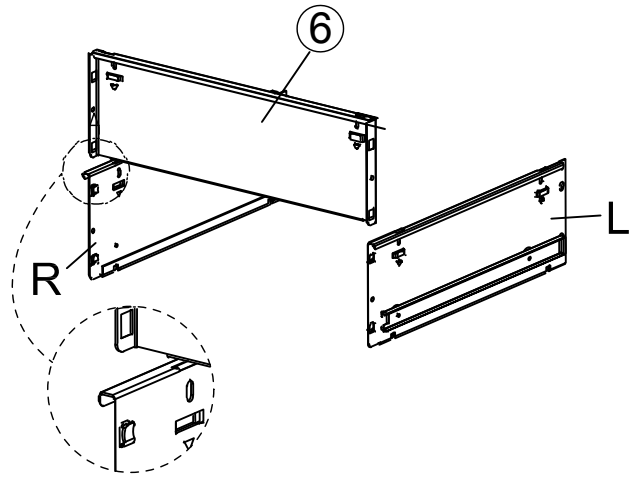


③ x 2 ④ x 4

231837.40xx

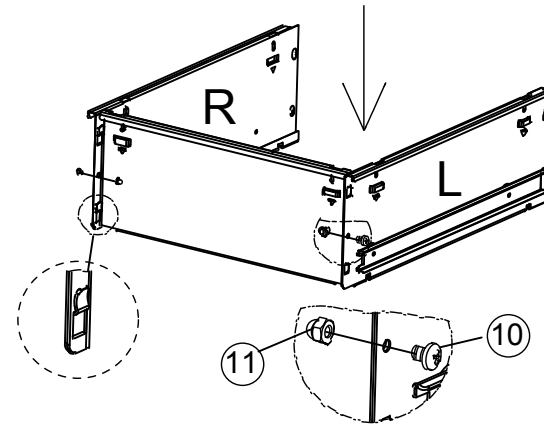


1▷



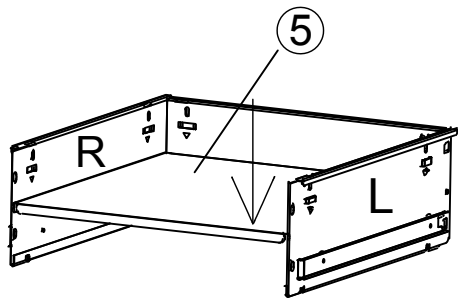
⑥ x 1

2▷



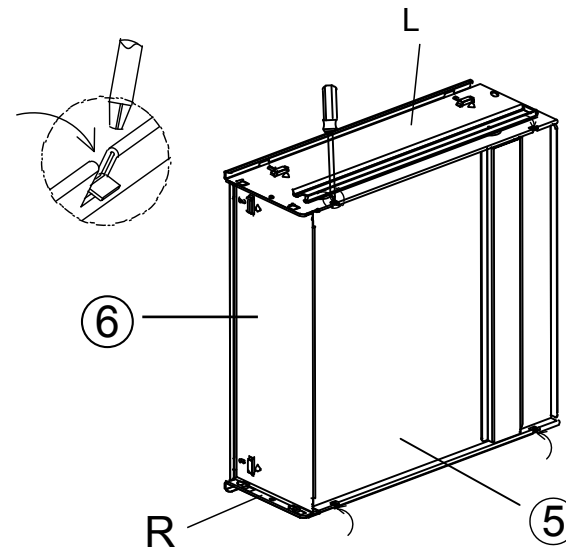
⑩ x 2 ⑪ x 2

3▷



⑤ x 1

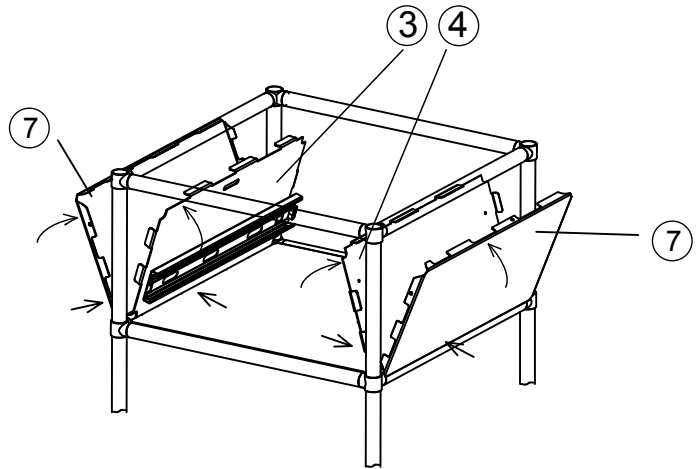
4▷



R

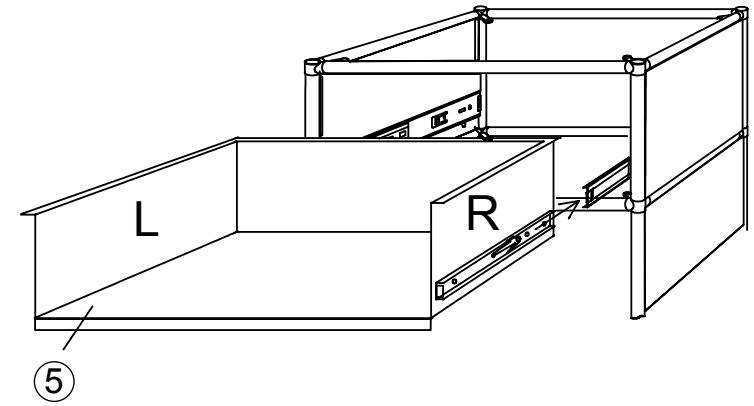
⑤

5▷

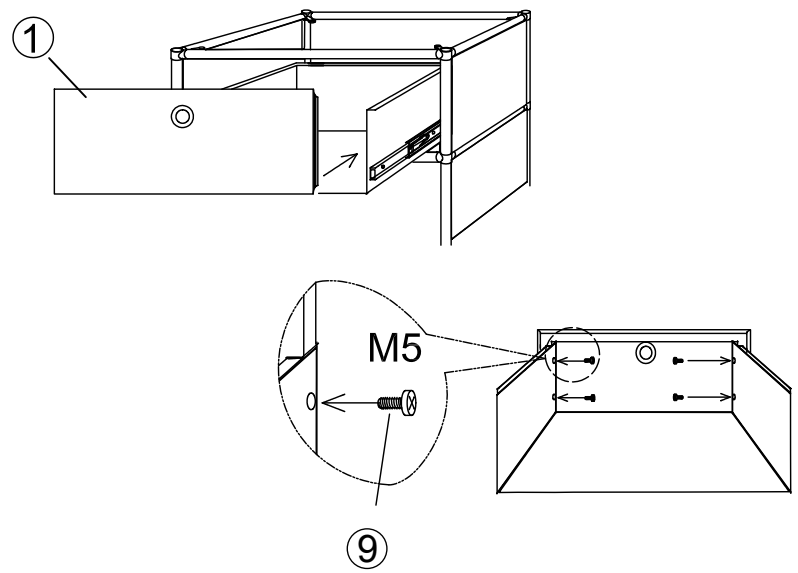


③ x 1 ④ x 1 ⑦ x 2

6▷

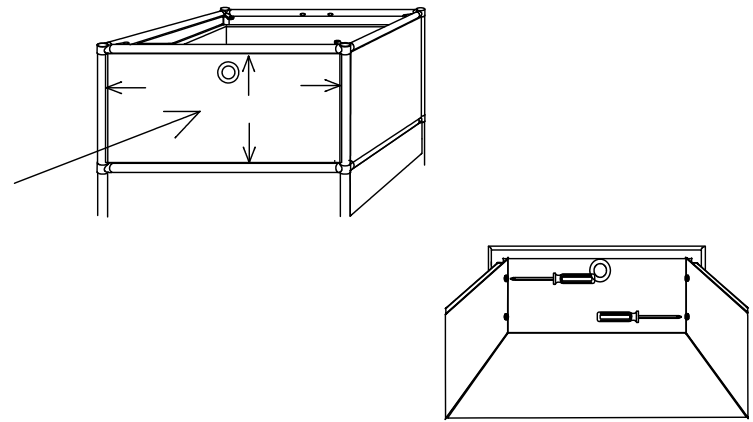


7▷

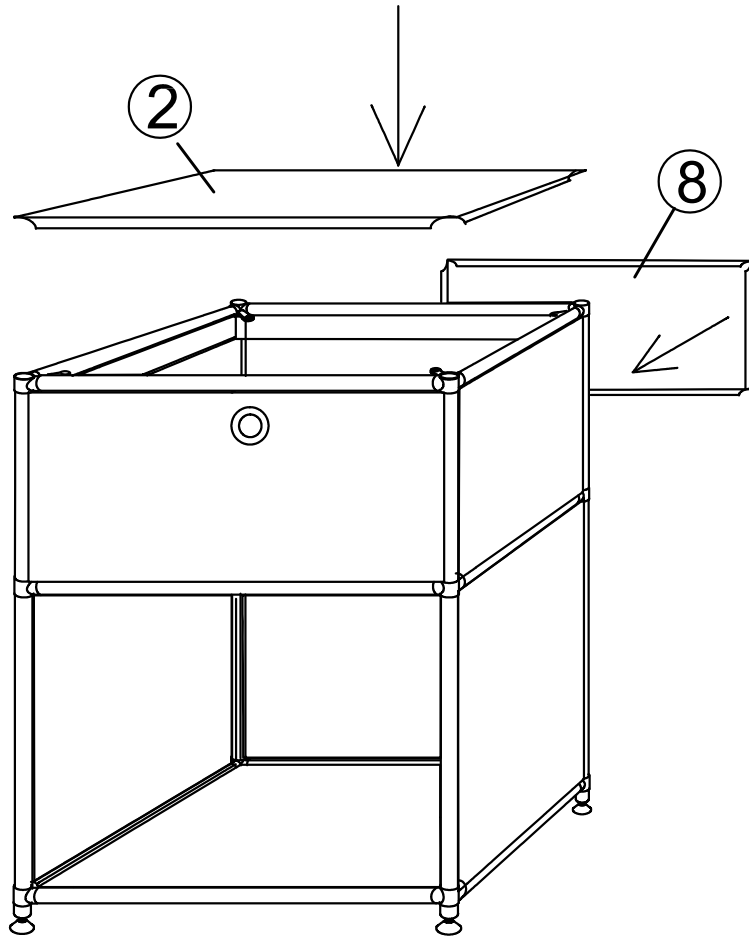


① x 1 ⑨ x 4

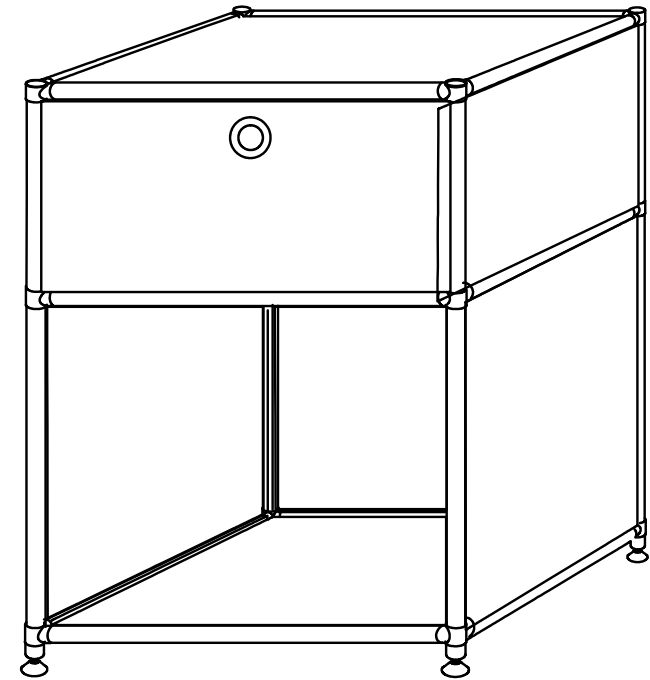
8▷



9 ▷

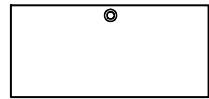


10 ▷

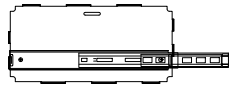


② x 2 ⑧ x 1

231875.40xx



① x 1



③ x 1



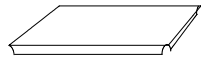
⑤ x 1



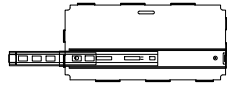
⑦ x 2



M5X8 ⑨ x 4



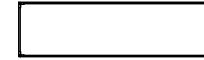
② x 2



④ x 1



⑥ x 1



⑧ x 1

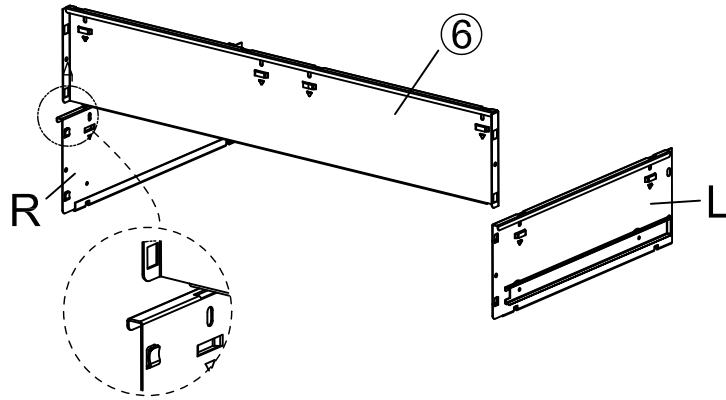


M4X5 ⑩ x 2



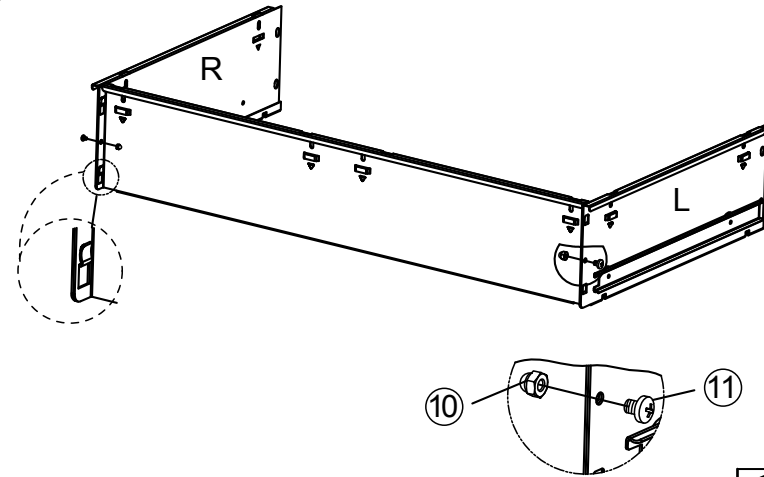
M4 ⑪ x 2

1▷



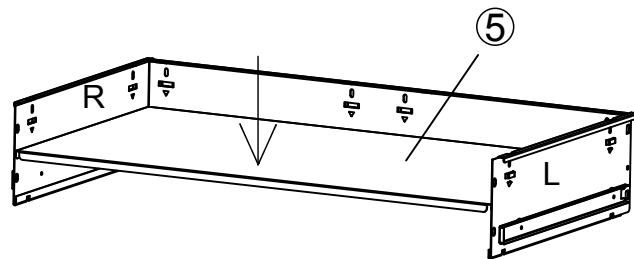
⑥ x 1

2▷



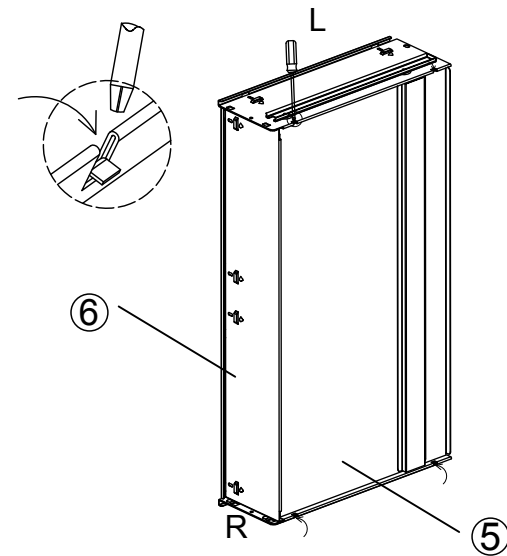
⑩ x 2 ⑪ x 2

3▷

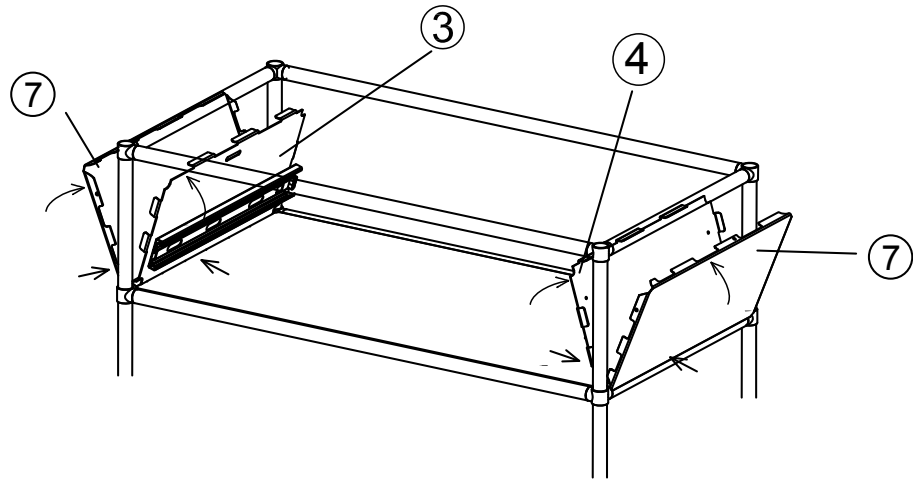


⑤ x 1

4▷

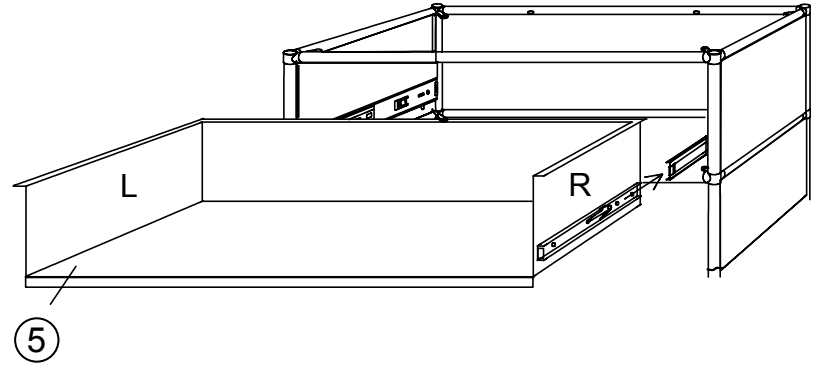


5▷

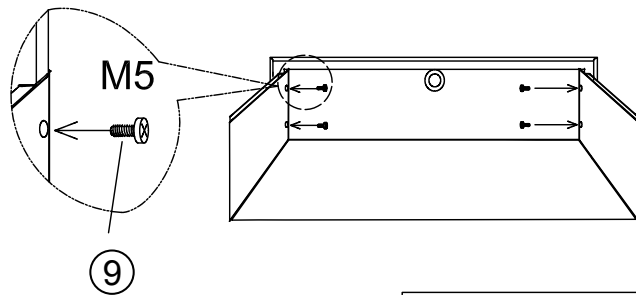
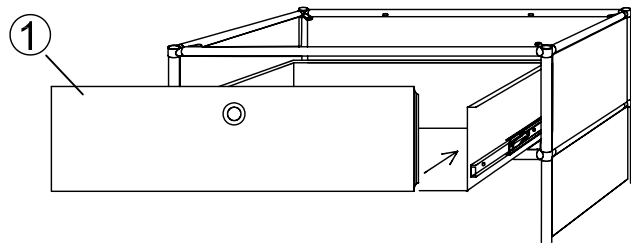


③ x 1 ④ x 1 ⑦ x 2

6▷

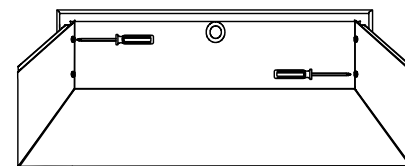
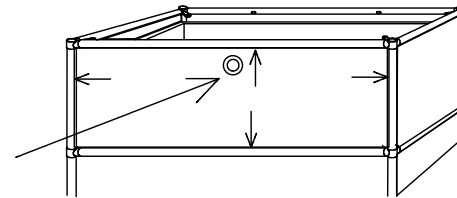


7▷

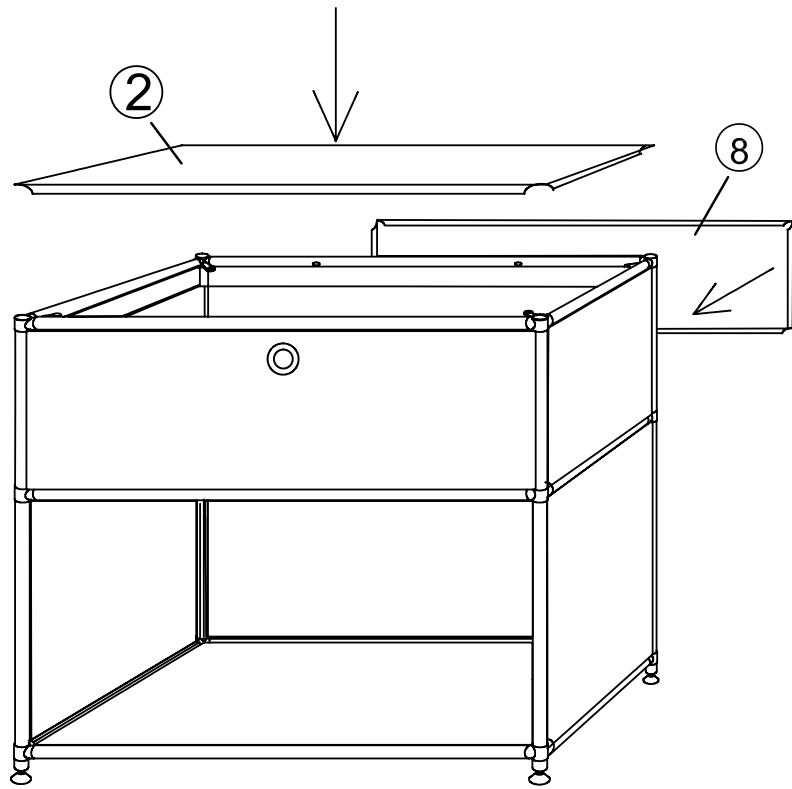


① x 1 ⑨ x 4

8▷



9 ▷



② x 2 ⑧ x 1

10 ▷

