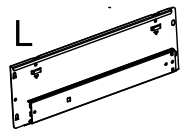
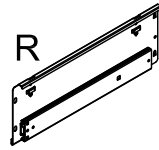


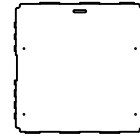
# 233737.9510



① x 2



② x 2

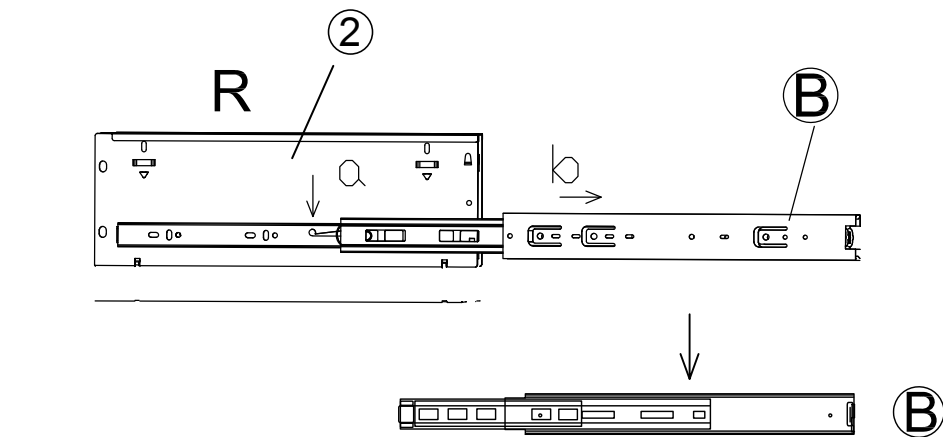
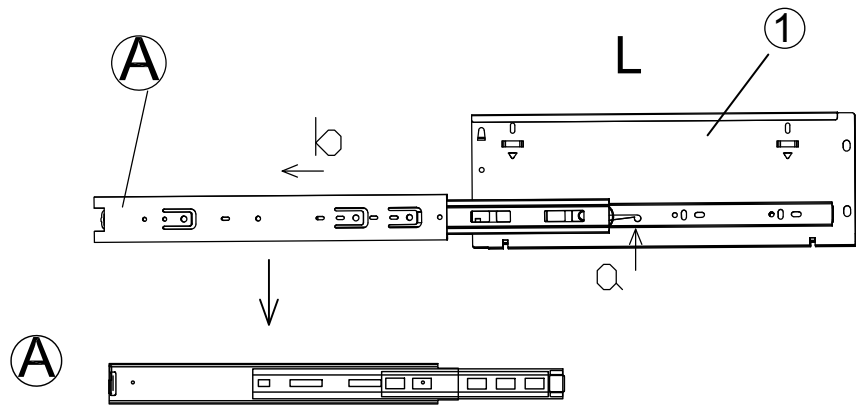


③ x 2



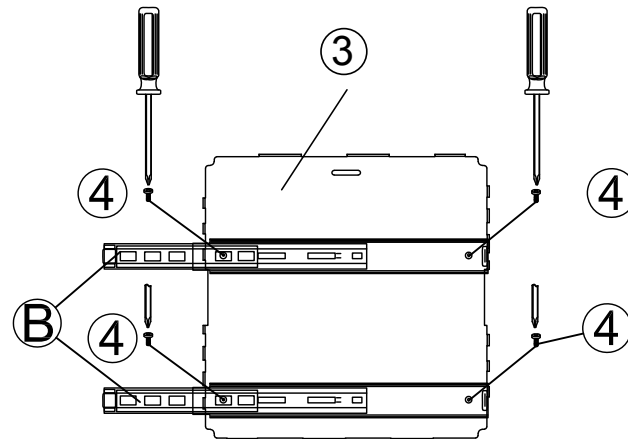
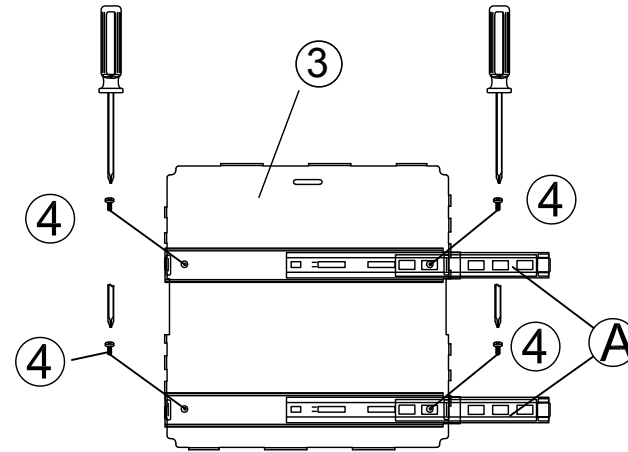
④ x 8

1▷



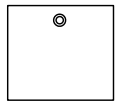
① x 2 ② x 2

2▷

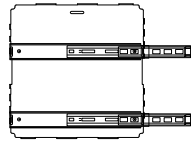


③ x 2 ④ x 8

# 233737. 41xx



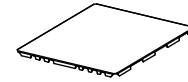
① x 2



③ x 1



⑤ x 2

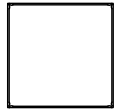


⑦ x 2

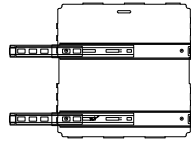


M4X5

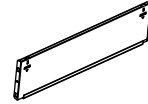
⑨ x 4



② x 3



④ x 1



⑥ x 2



M5X8

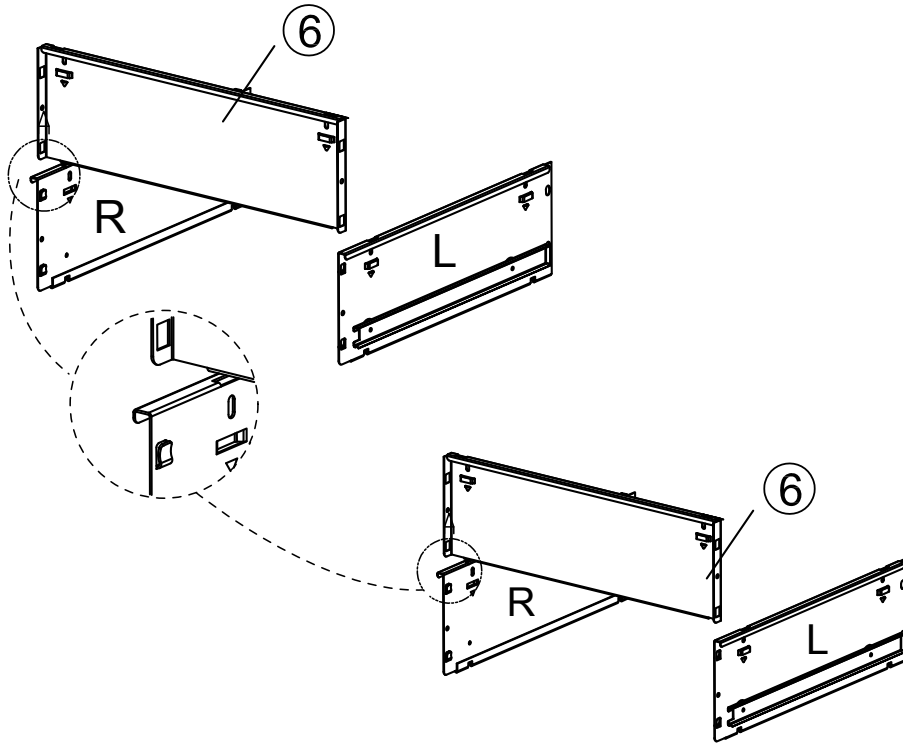
⑧ x 8



M4

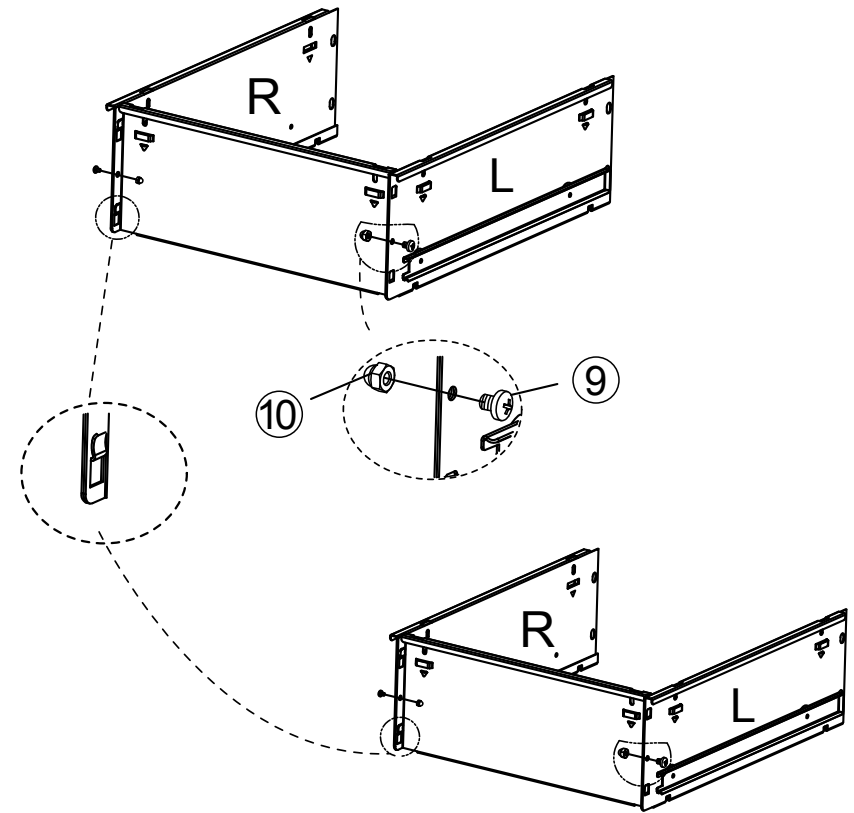
⑩ x 4

1▷



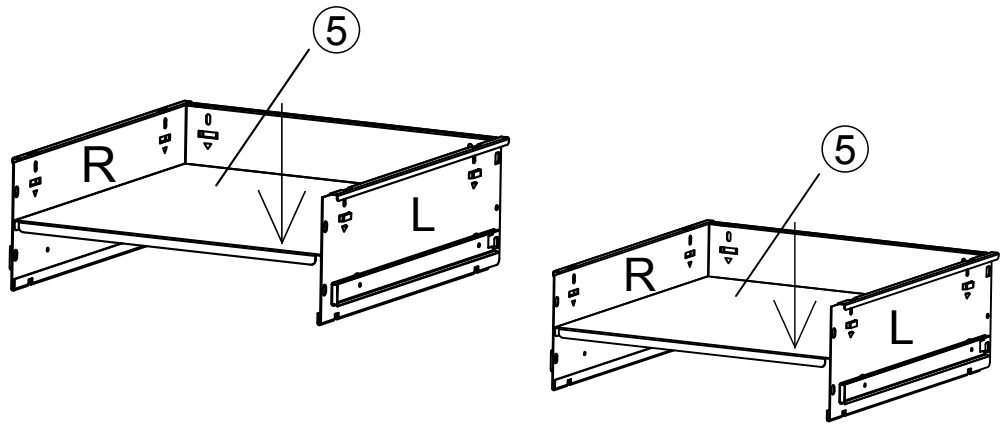
⑥ x 2

2▷



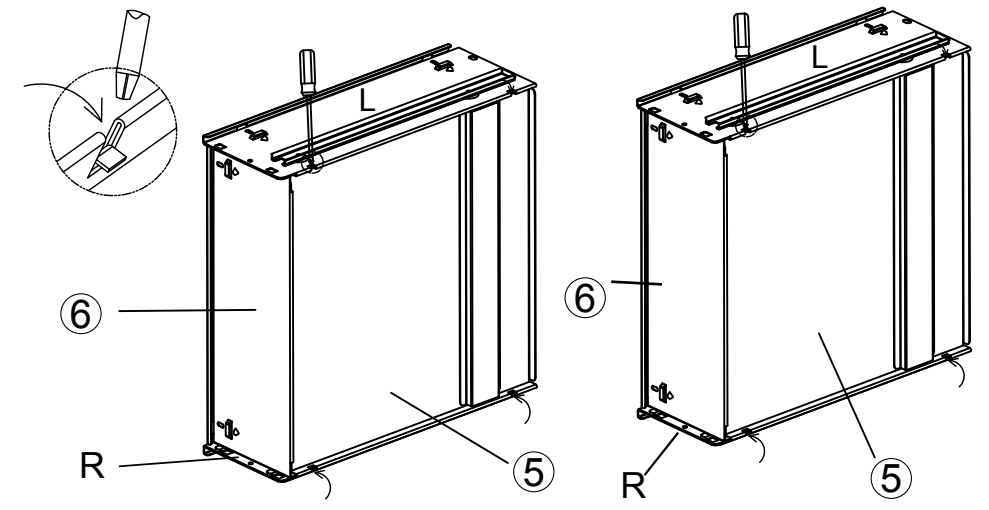
⑨ x 4 ⑩ x 4

3 ▷

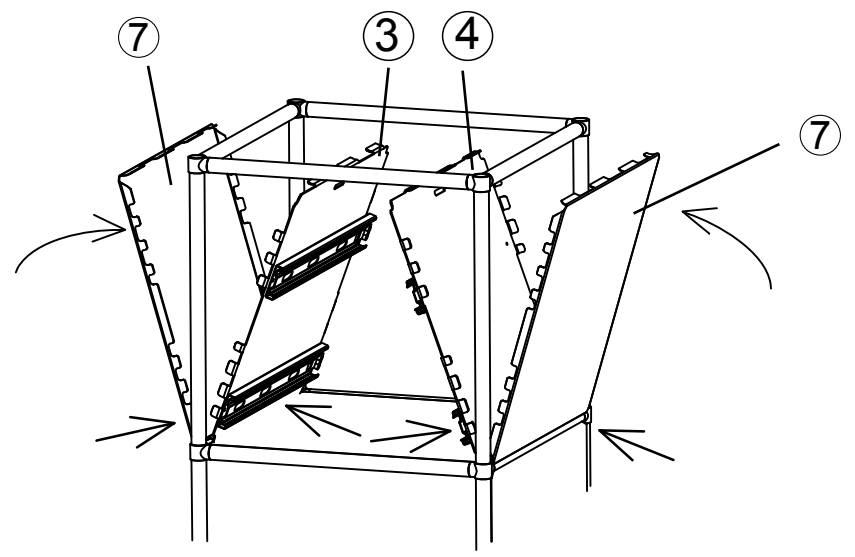


⑤ x 2

4 ▷

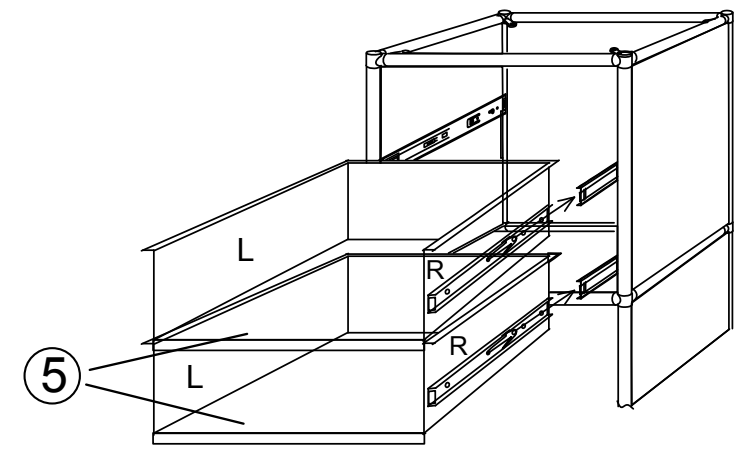


5 ▷

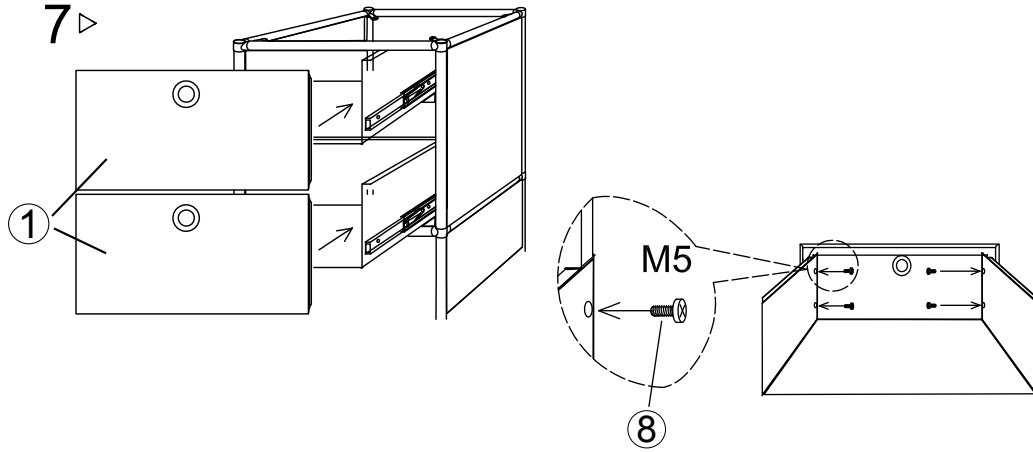


③ x 1 ④ x 1 ⑦ x 2

6 ▷

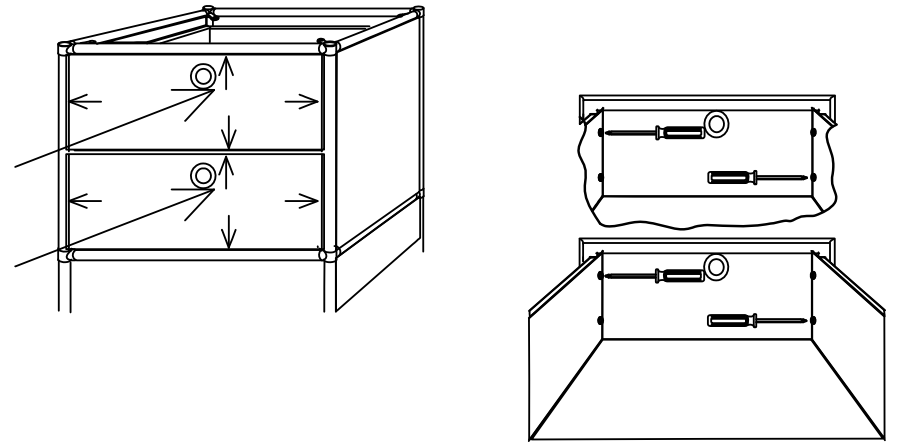


7▷

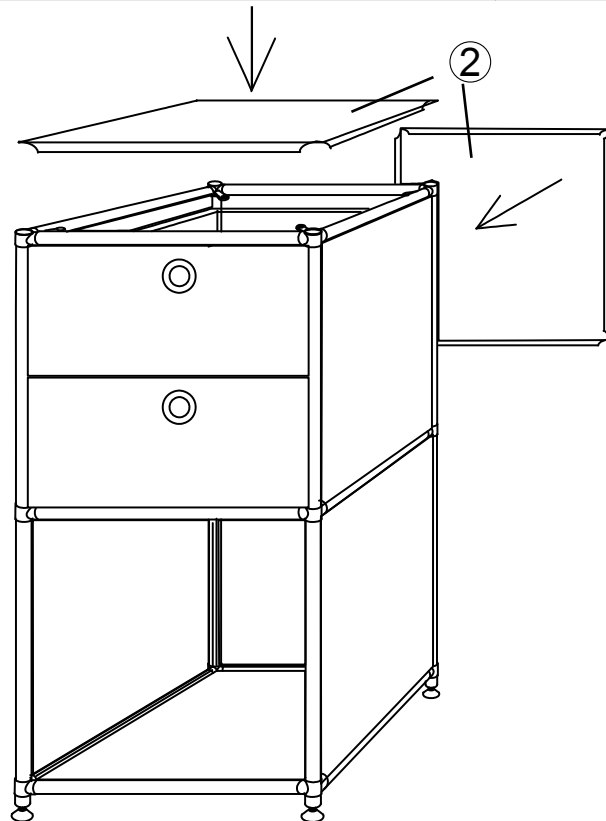


① x 2 ⑧ x 8

8▷

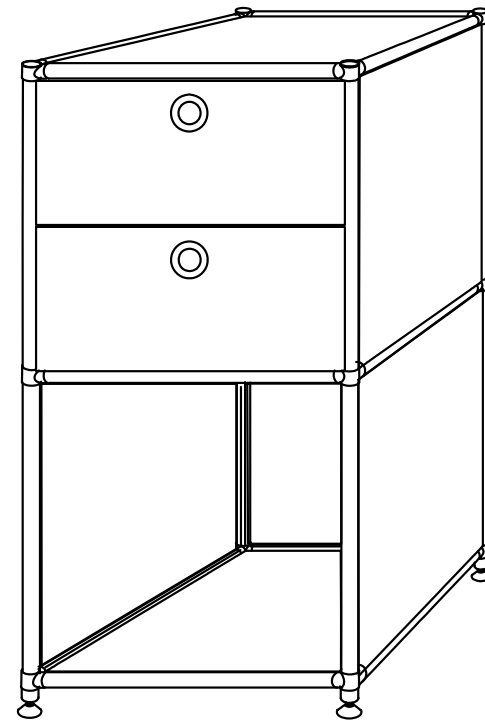


9▷

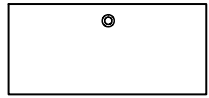


② x 3

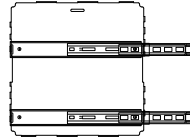
10▷



# 233775. 41xx



① x 2



③ x 1



⑤ x 2

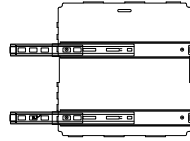


⑦ x 2

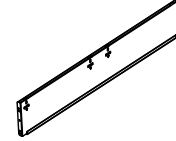
M4X5 ⑨ x 4



② x 3



④ x 1



⑥ x 2

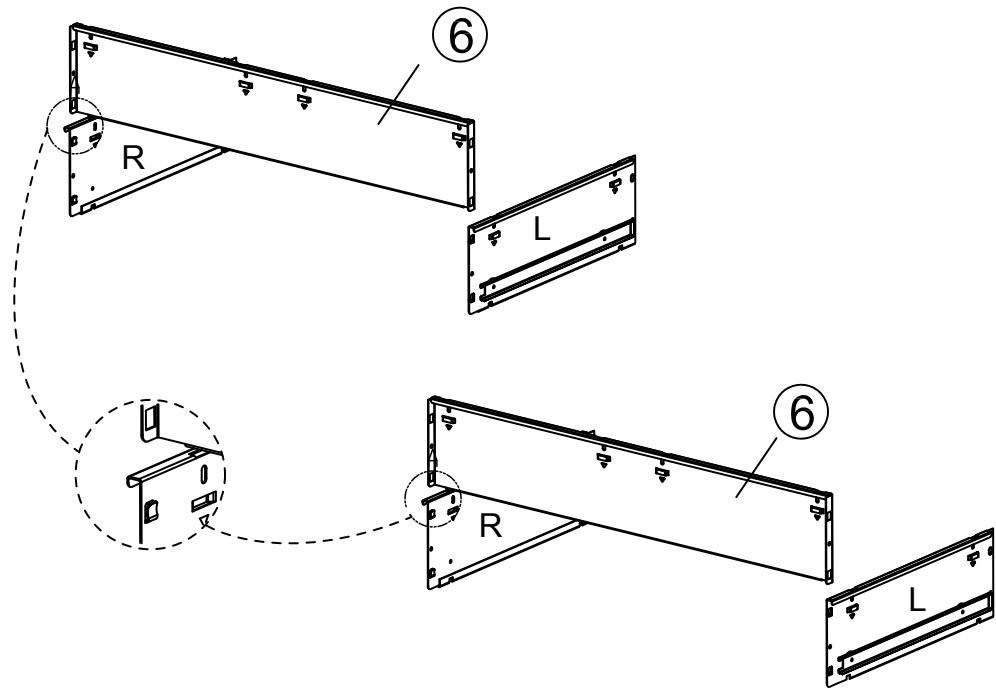
M5X8 ⑧ x 8

⑧ x 8

M4 ⑩ x 4

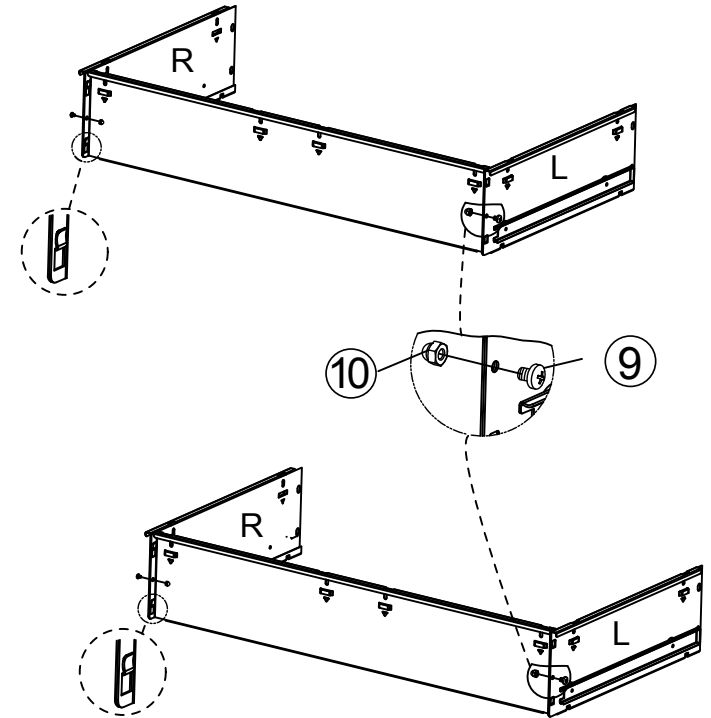
⑩ x 4

1▷



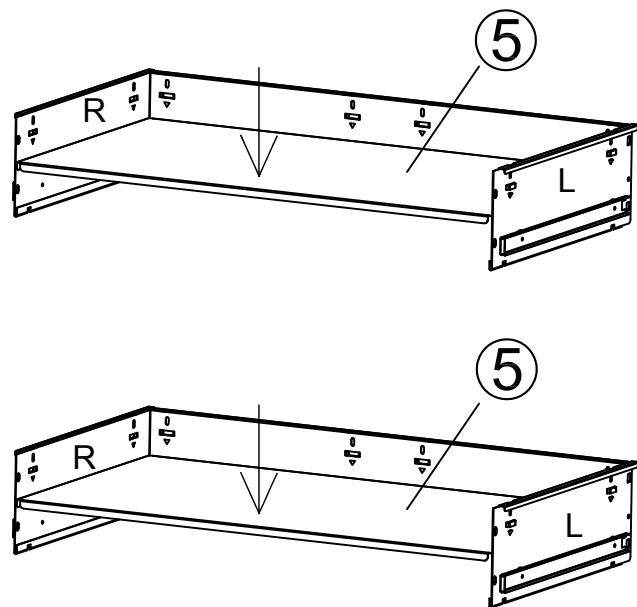
⑥ x 2

2▷



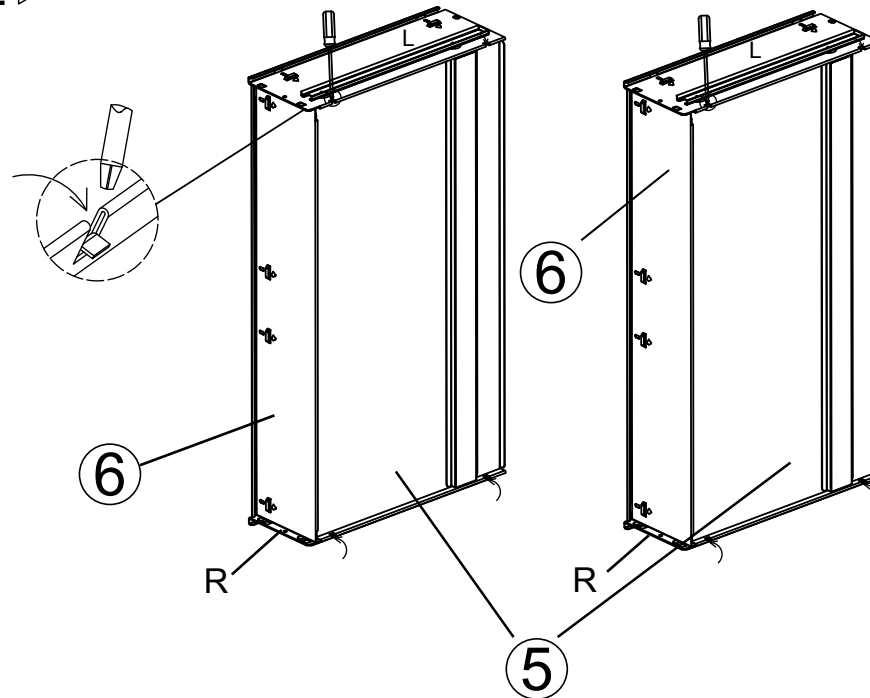
⑨ x 4 ⑩ x 4

3 ▷

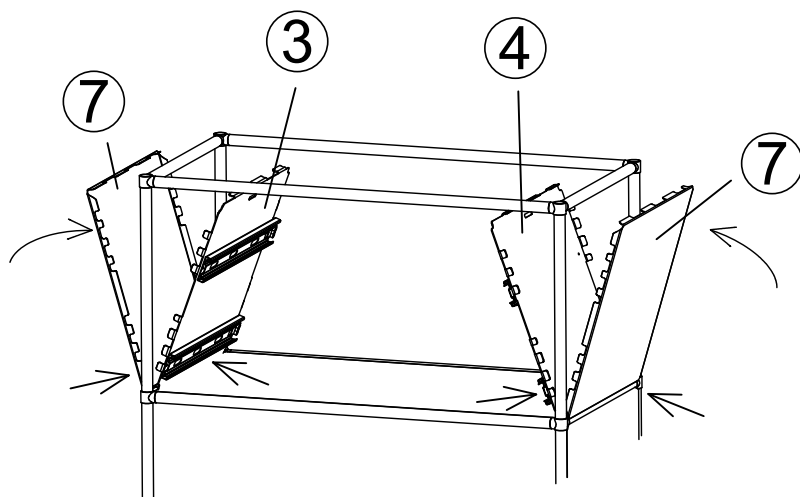


⑤ x 2

4 ▷

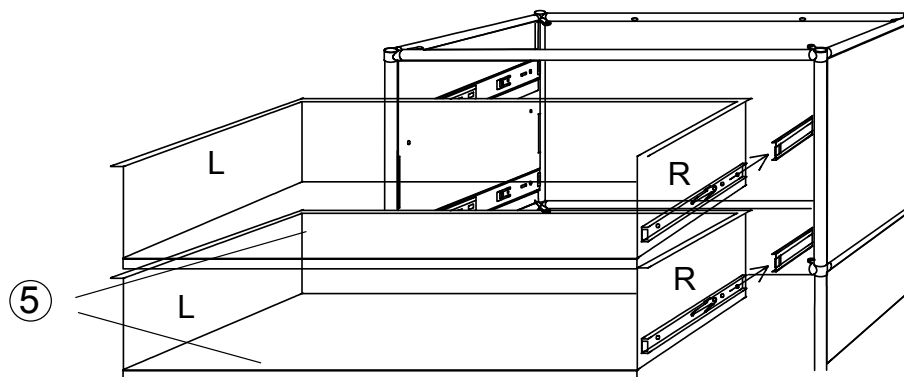


5 ▷

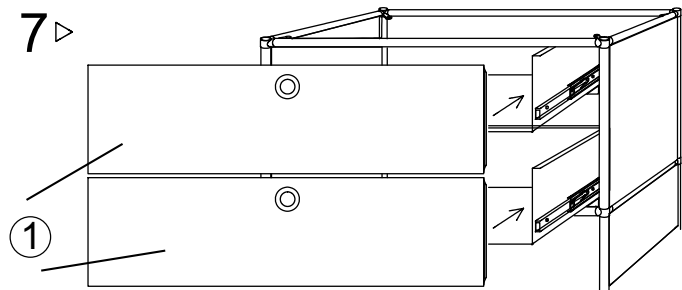


③ x 1 ④ x 1 ⑦ x 2

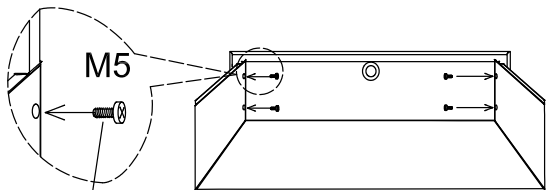
6 ▷



7▷



①

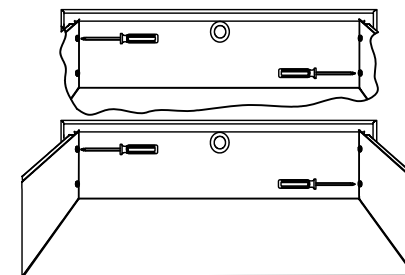
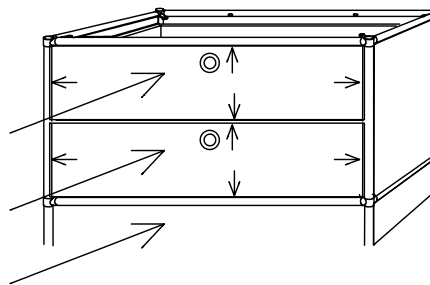


M5

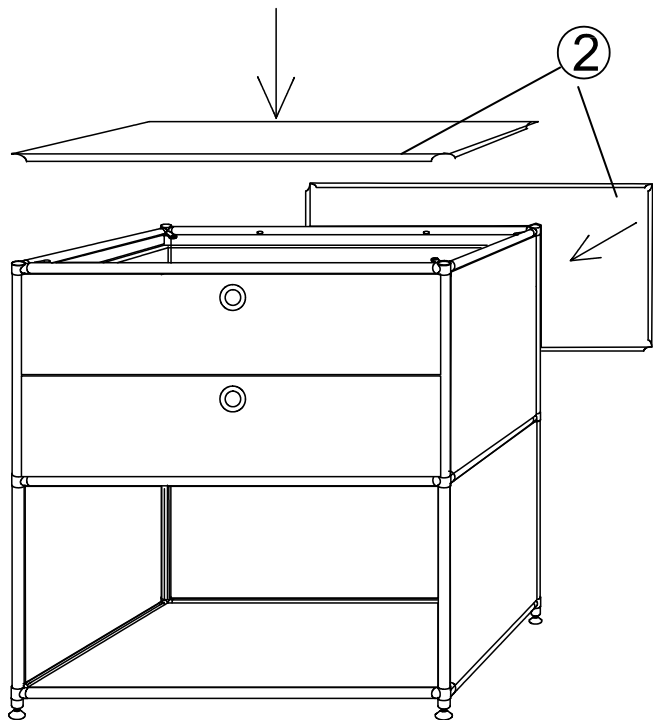
⑧

① x 2    ⑧ x 8

8▷



9▷



②

② x 3

10▷

