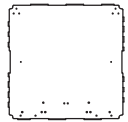


283737.92XX



① x2



R

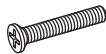
② x1



L

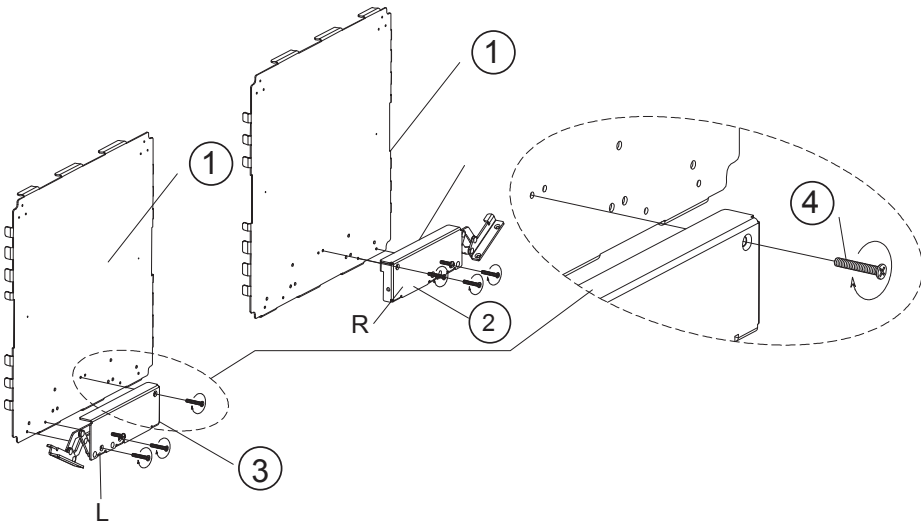
③ x1

M4x25

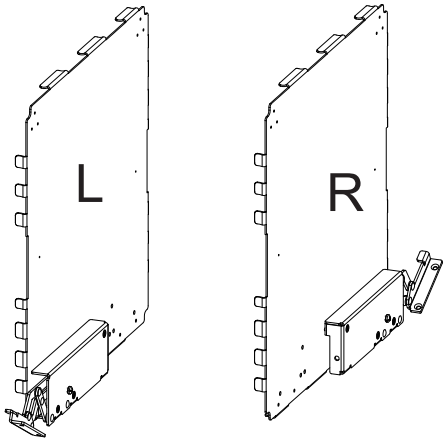


④ x6

1▷



2▷



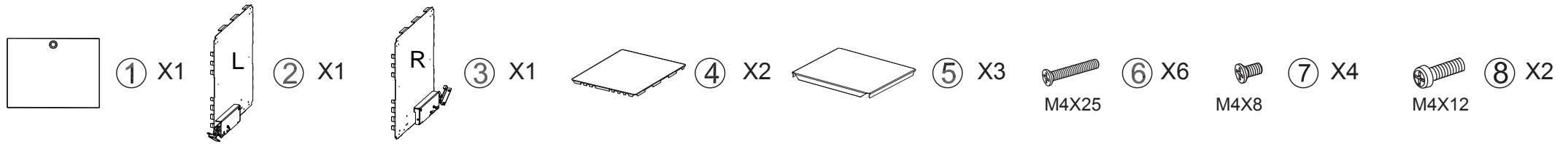
① X2

② X1

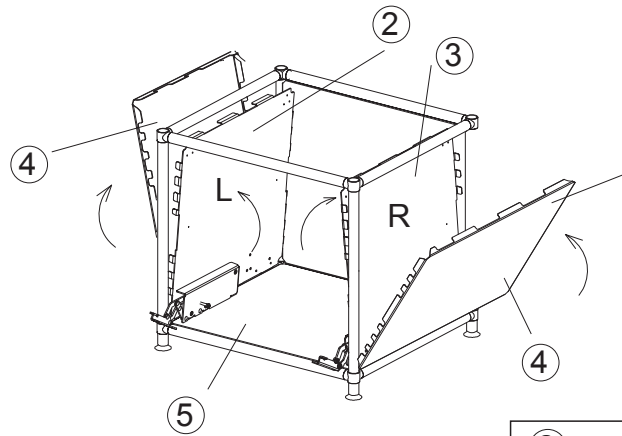
③ X1

④ X6

283737.23XX

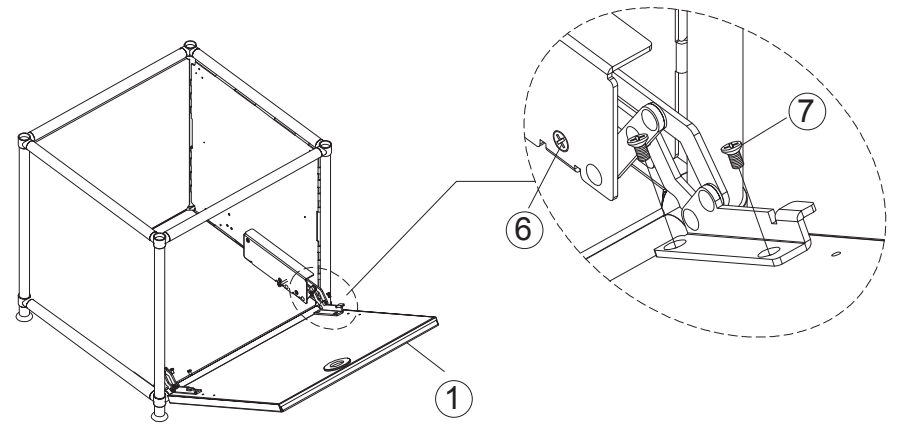


1▷



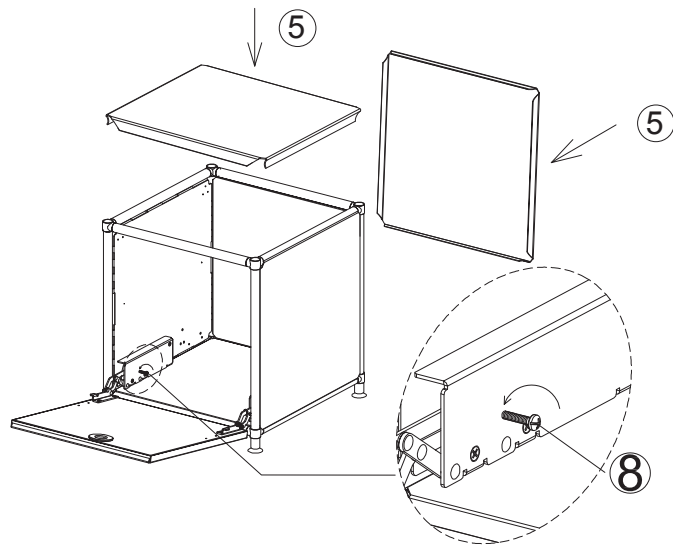
② x1 ③ x1 ④ x2

2▷



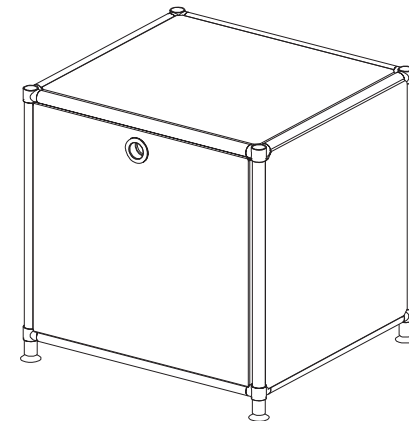
① x1 ⑥ x6 ⑦ x4

3▷

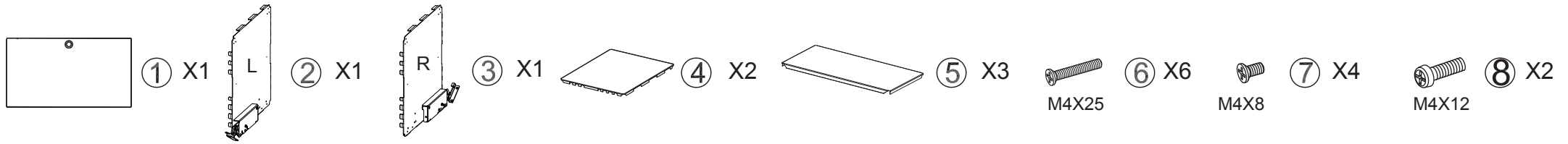


⑤ x3 ⑧ x2

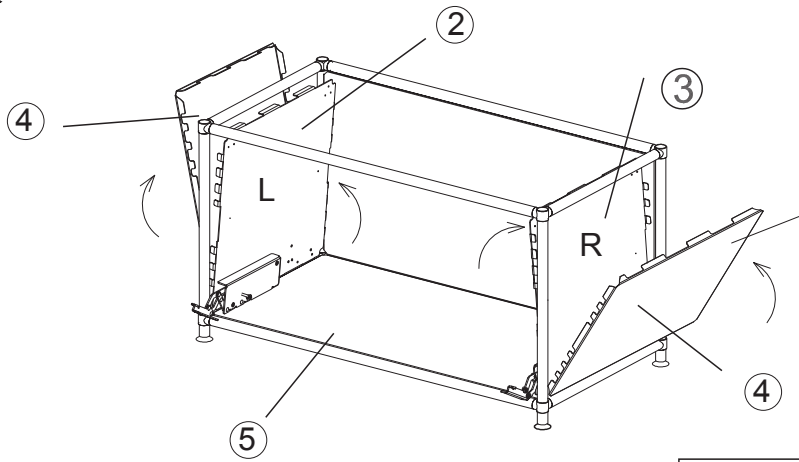
4▷



283775.23XX

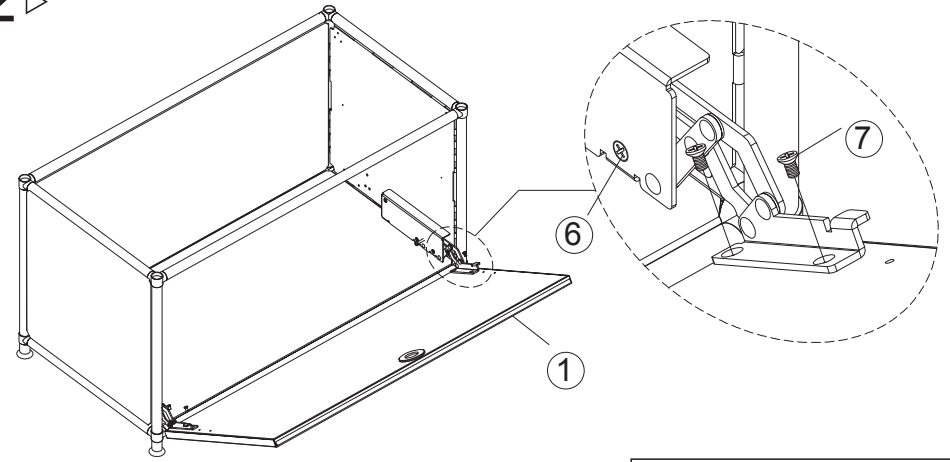


1▷



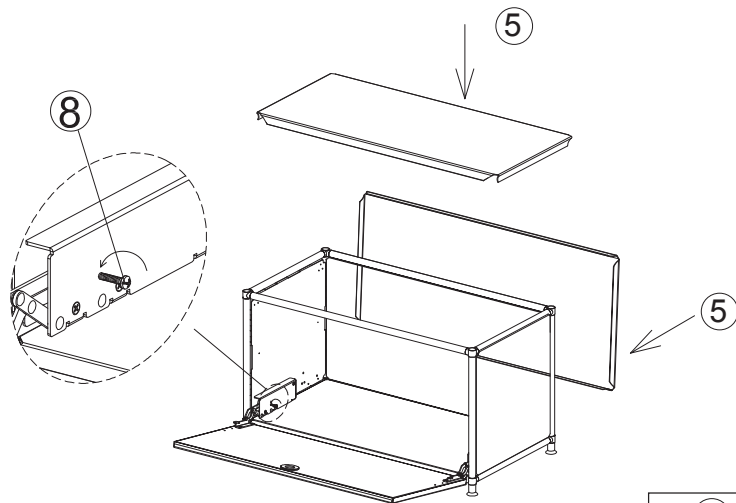
② x1 ③ x1 ④ x2

2▷



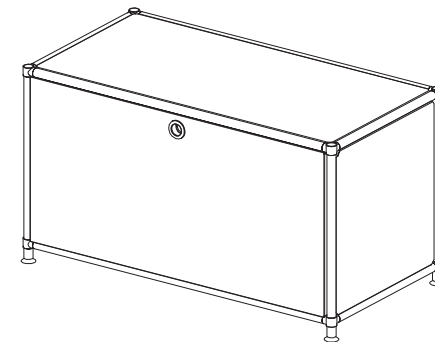
① x1 ⑥ x6 ⑦ x4

3▷

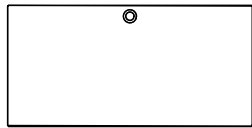
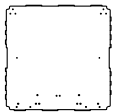
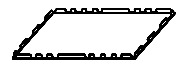
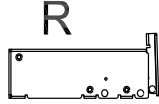
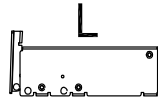



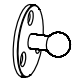


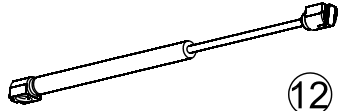


⑤ x3 ⑧ x2

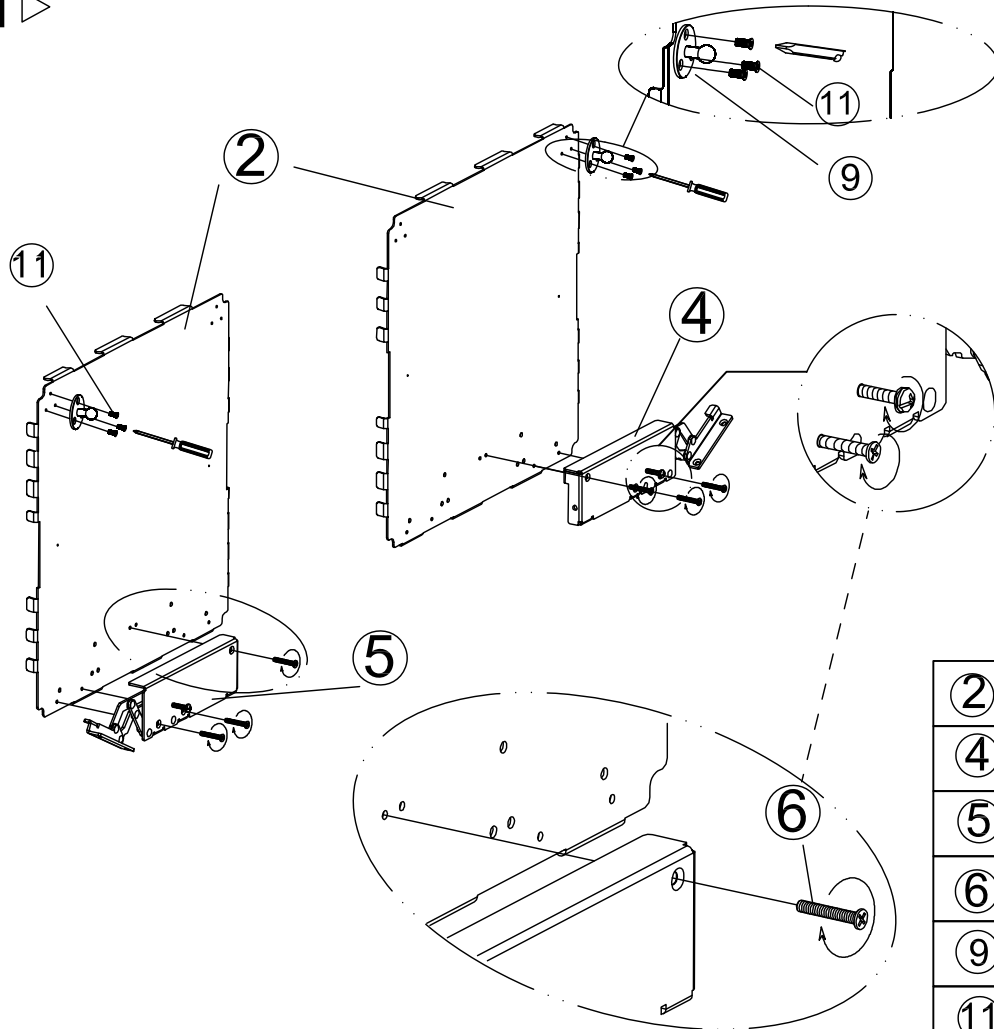
4▷



900080.6099

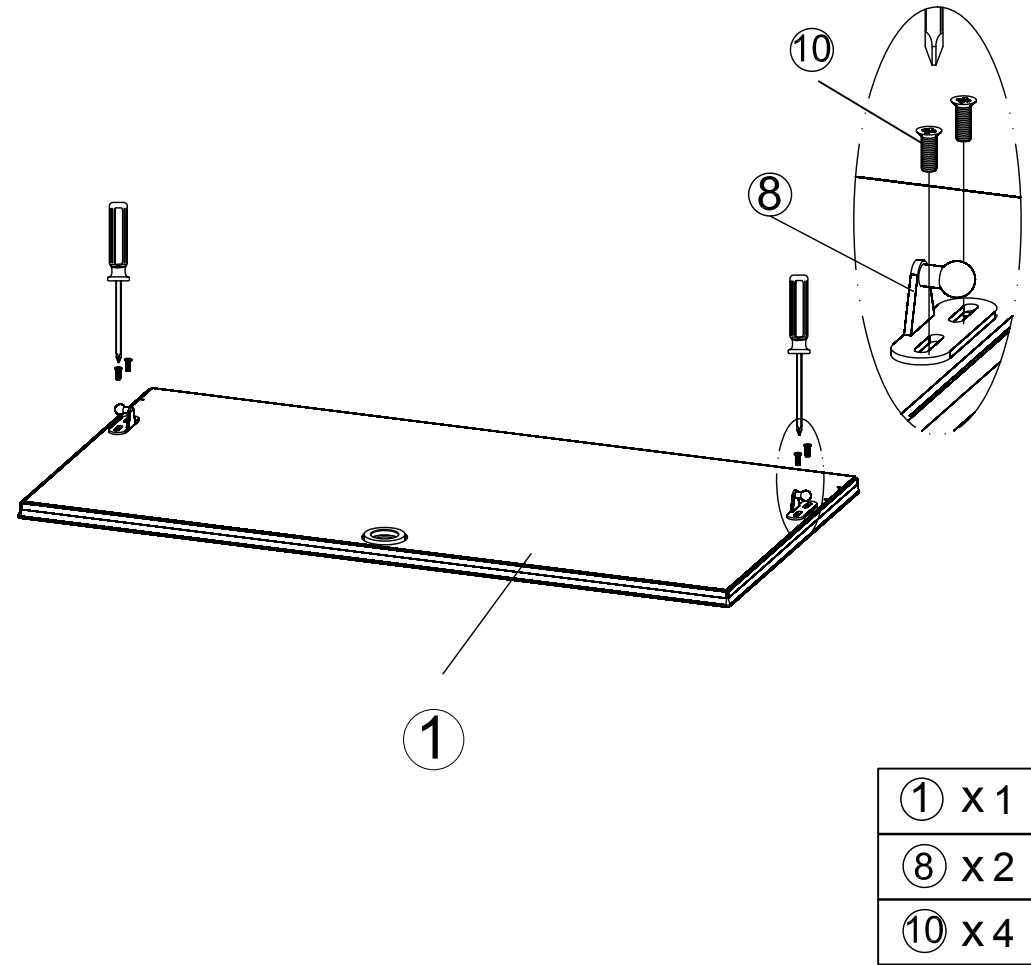
-  ① x 1
  ② x 2
  ③ x 2
  R ④ x 1
  L ⑤ x 1
  M4x 25 ⑥ x 6
 M4x 8 ⑦ x 4
  ⑧ x 2
  ⑨ x 2
  M4 ⑩ x 4
  M3 ⑪ x 6
  ⑫ x 2

1▷



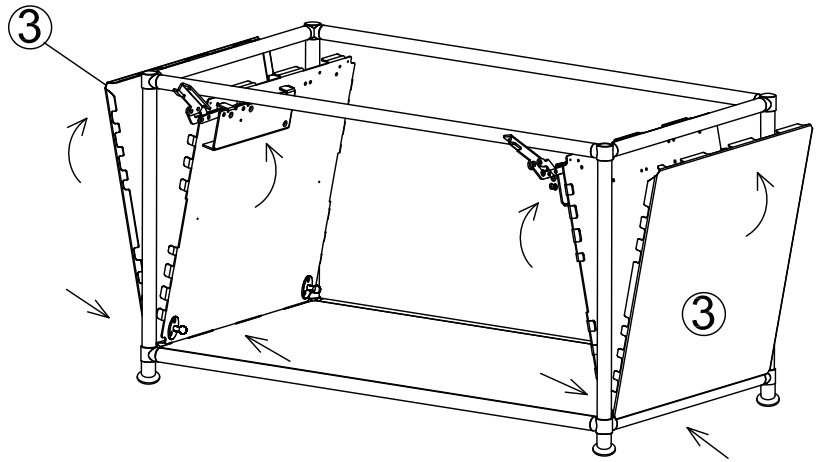
- ② x 2
- ④ x 1
- ⑤ x 1
- ⑥ x 6
- ⑨ x 2
- ⑪ x 6

2▷



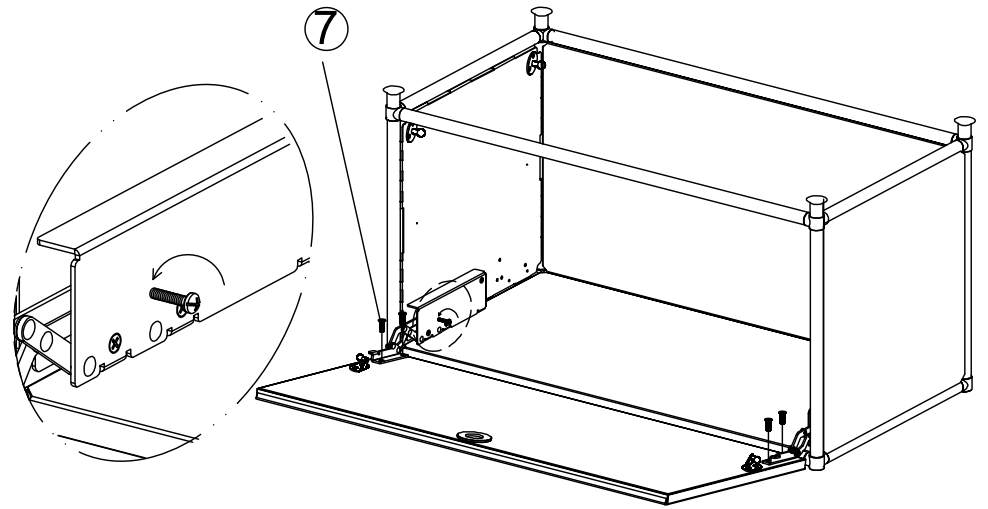
- ① x 1
- ⑧ x 2
- ⑩ x 4

3▷



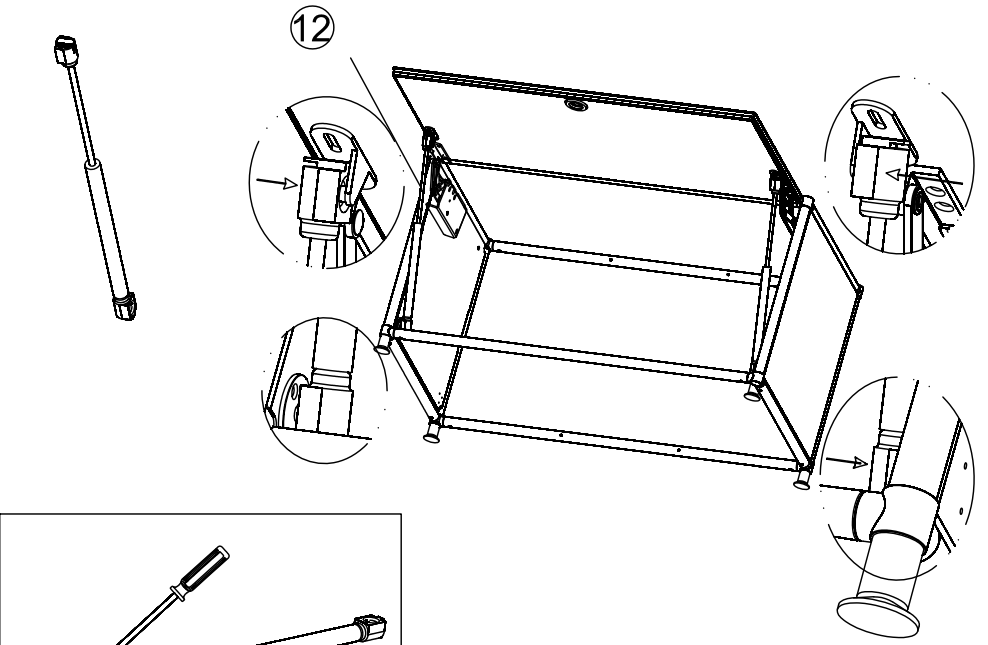
③ x 2

4▷



⑦ x 4

5▷



⑫ x 2

6▷

