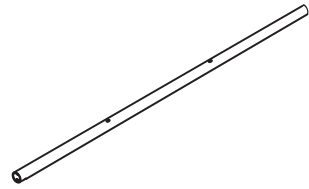


150075.5001/ 150075.5007



① x 2



M5 X 17

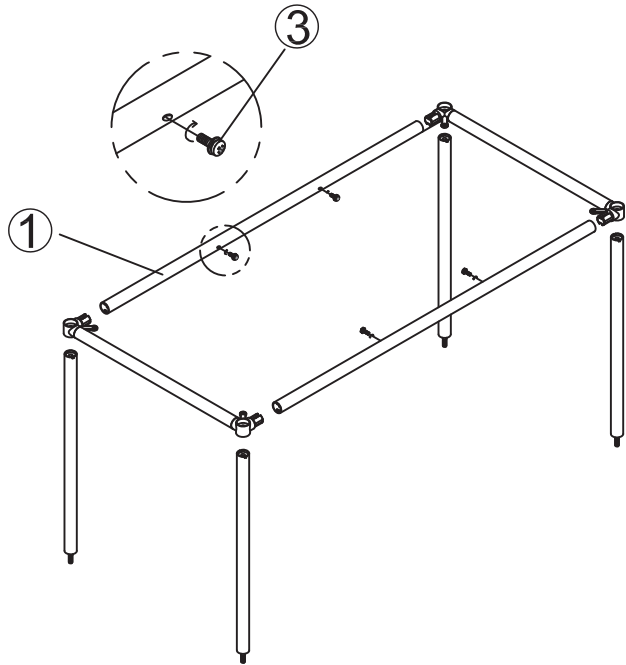
② x 4



M4 X 12

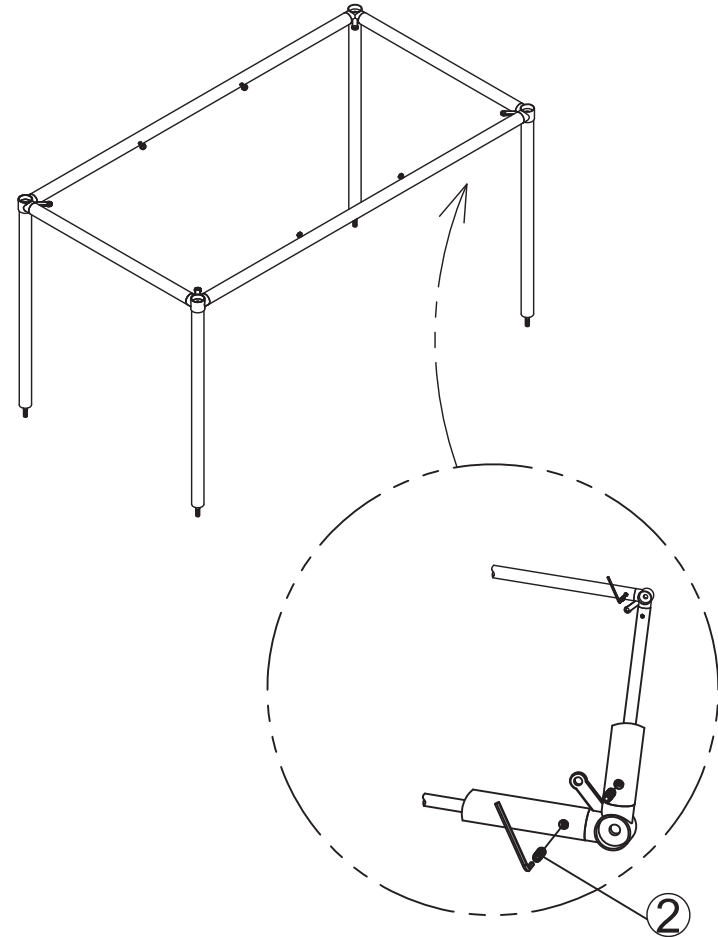
③ x 4

1 ▷



① x 2 ③ x 4

2 ▷



② x 4