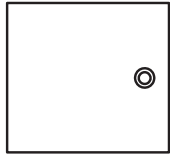
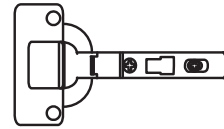


213737.20XX

① x1



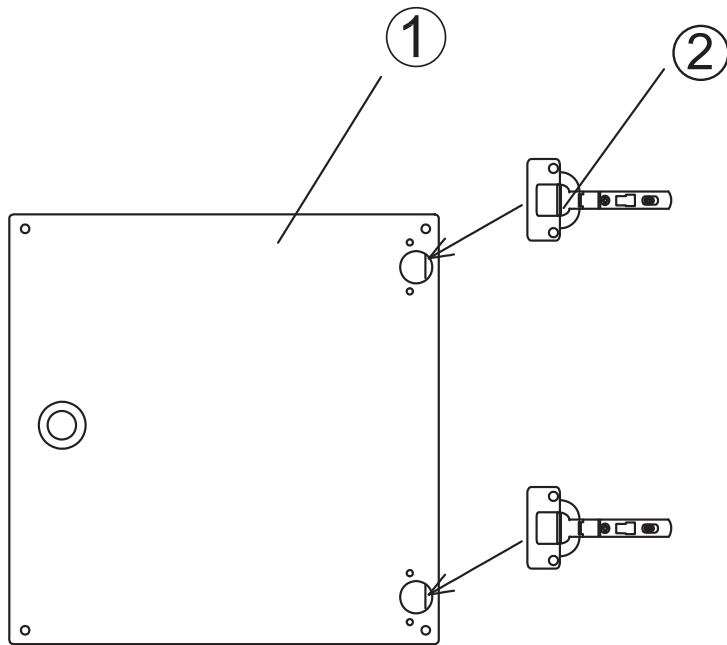
② x2



③ x4

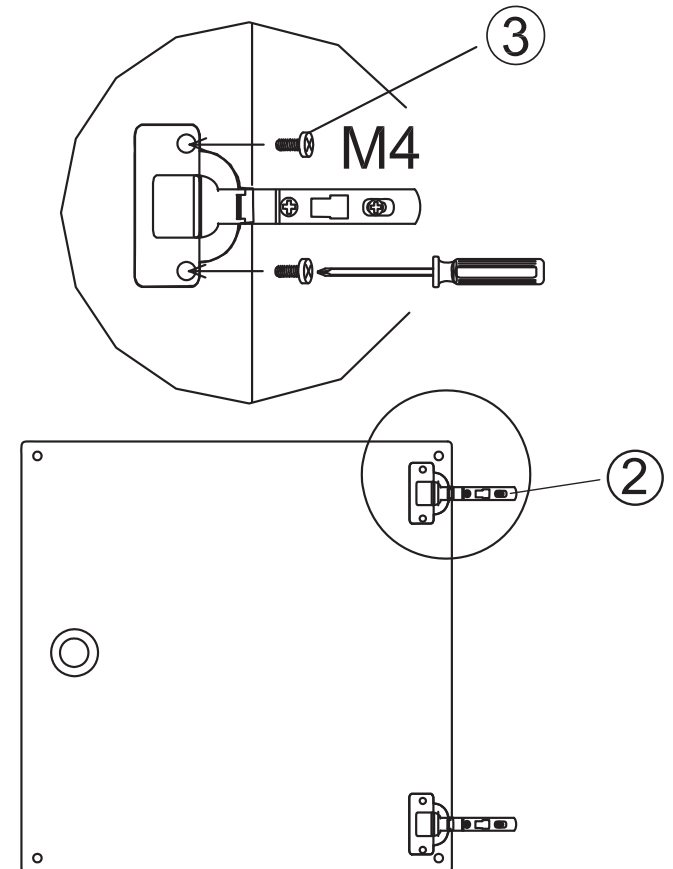


1▷



① x1 ② x2

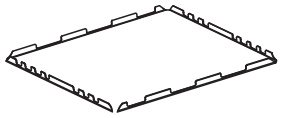
2▷



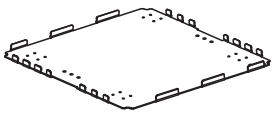
② x2 ③ x4

233737.94XX

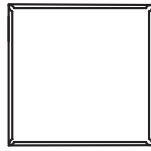
① x1



② x1



③ x4

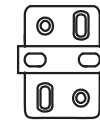


④ x4

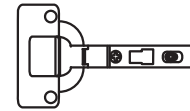
M4 x 8



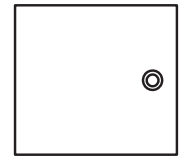
⑤ x2



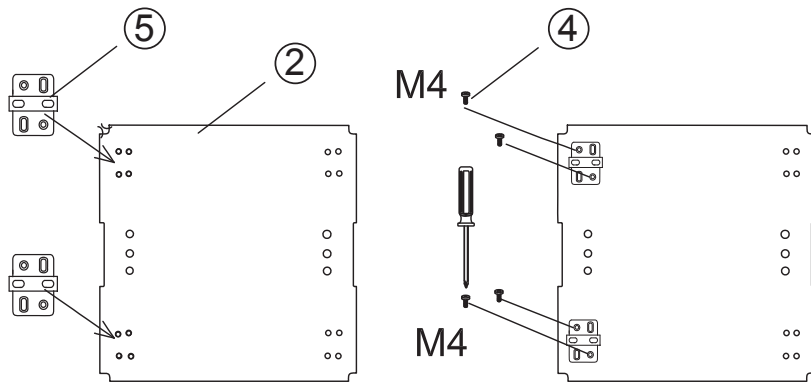
⑥ x2



⑦ x1

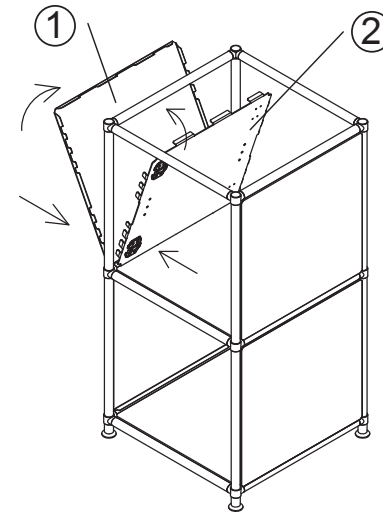


1▷



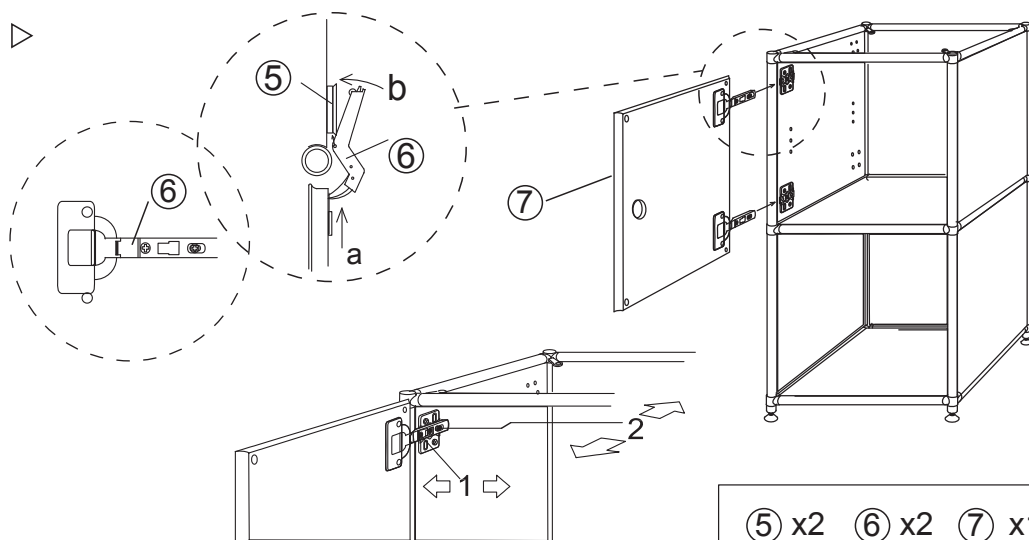
② x1 ④ x4 ⑤ x2

2▷



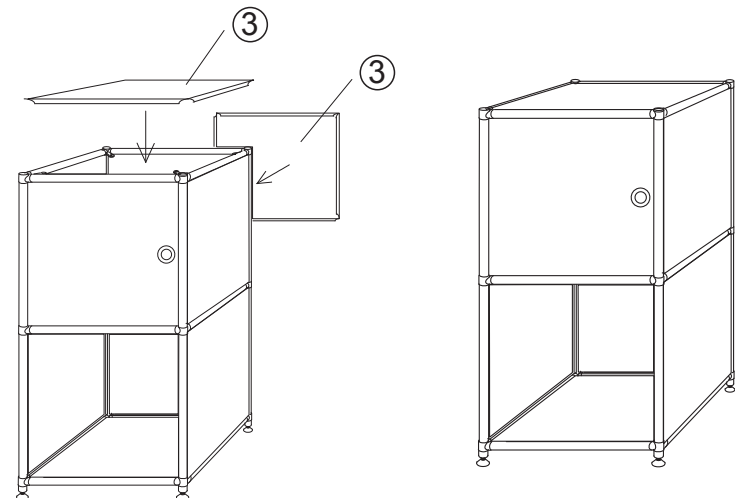
② x1 ① x1

3▷



⑤ x2 ⑥ x2 ⑦ x1

4▷



③ x4

213775.21XX

① x2



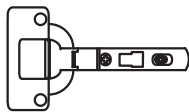
② x2



③ x3



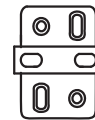
④ x4



⑤ x8



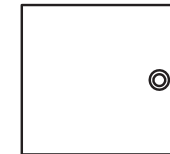
⑥ x4



⑦ x1



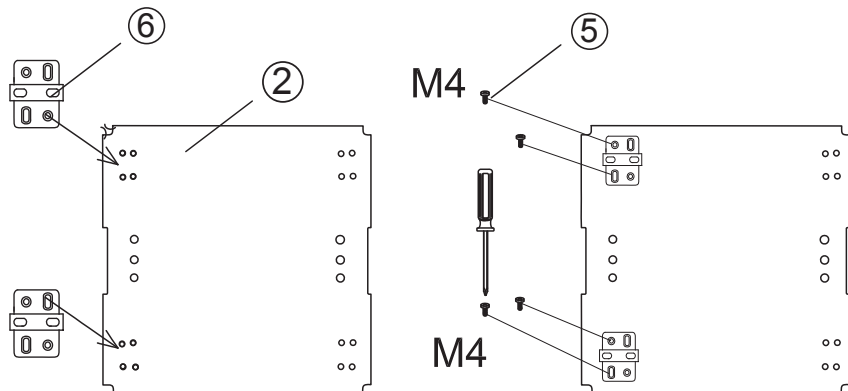
⑧ x2



⑨ x4

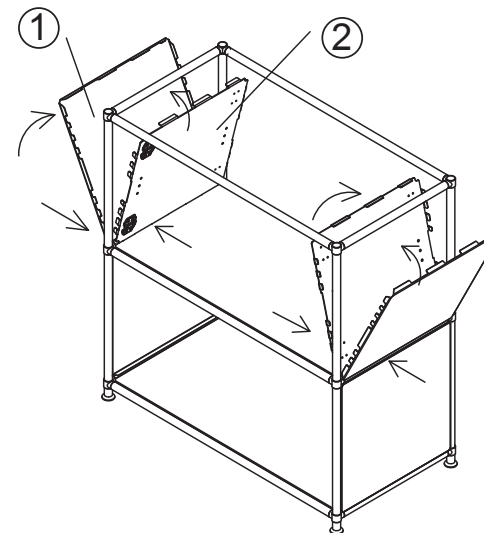


1▷



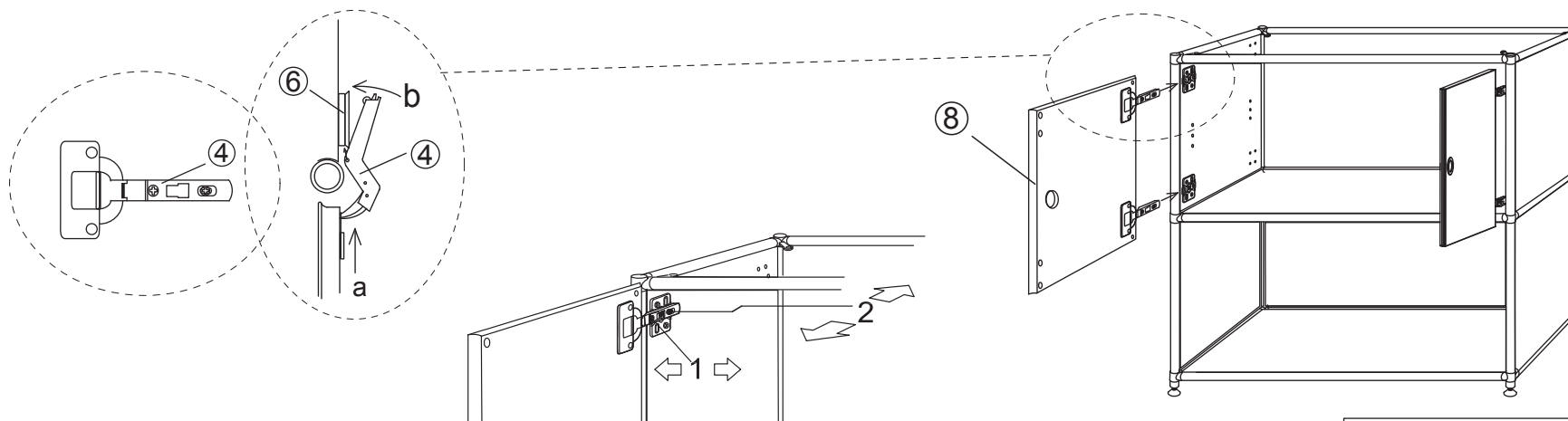
② x2 ⑤ x4 ⑥ x2

2▷



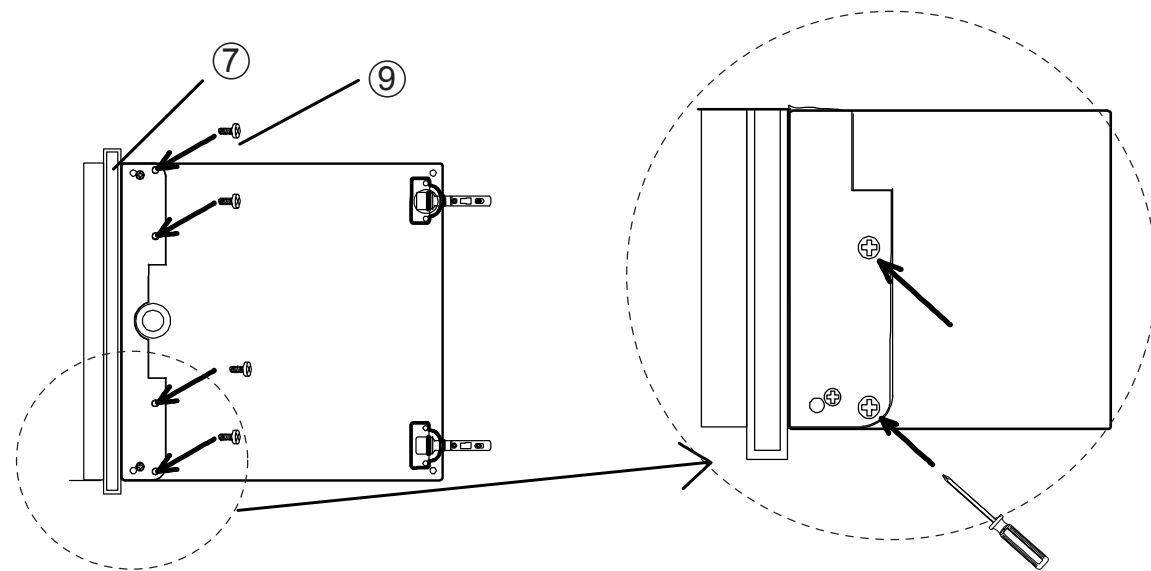
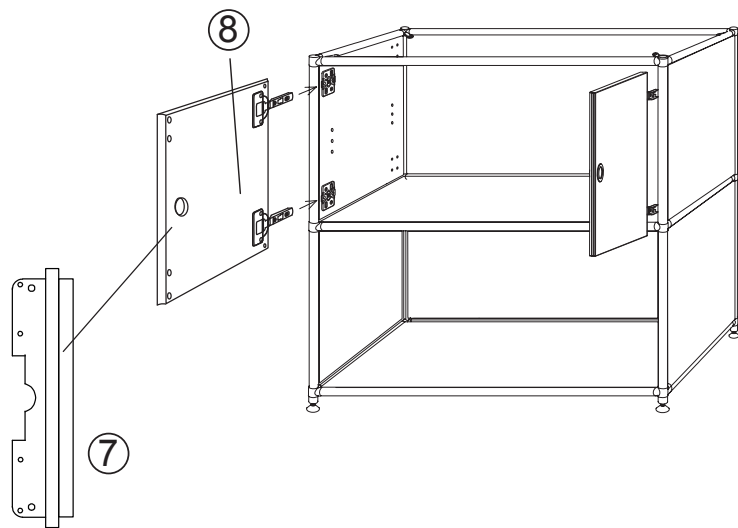
② x2 ① x2

3▷



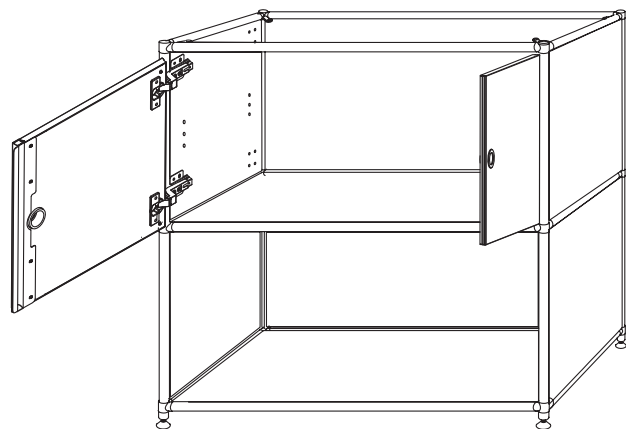
④ x4 ⑥ x4 ⑤ x8 ⑧ x2

4 ▷

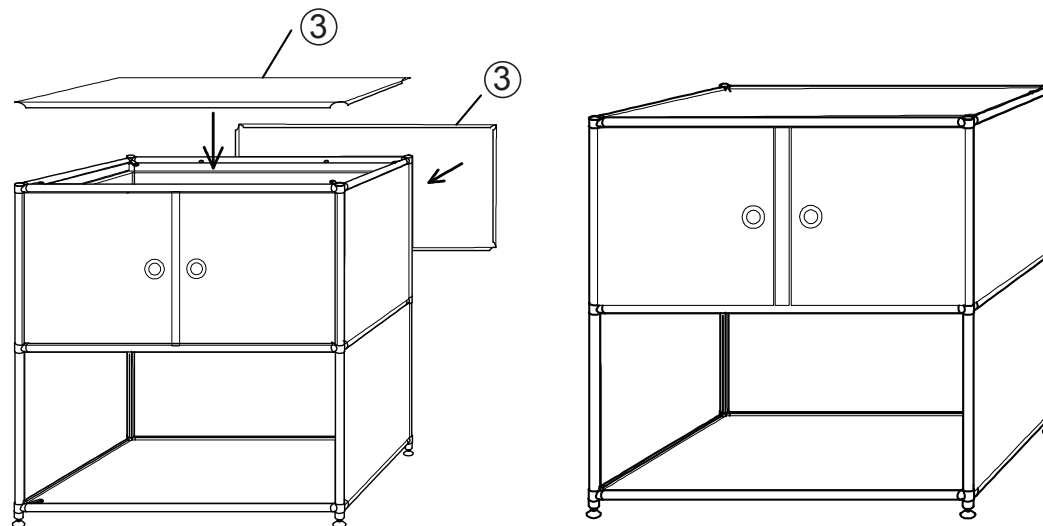


⑨ x4 ⑦ x1

5 ▷



6 ▷



③ x3