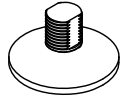


150800.5101



① x 2



② x 2



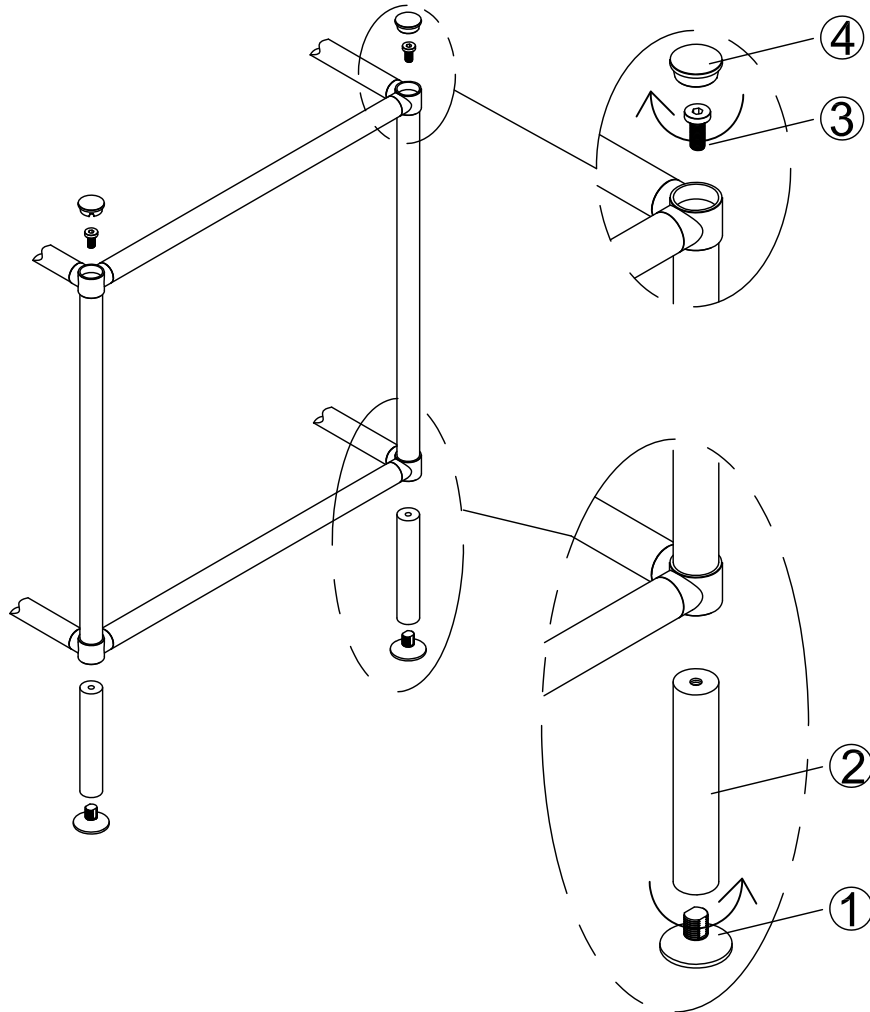
M6×18

③ x 2

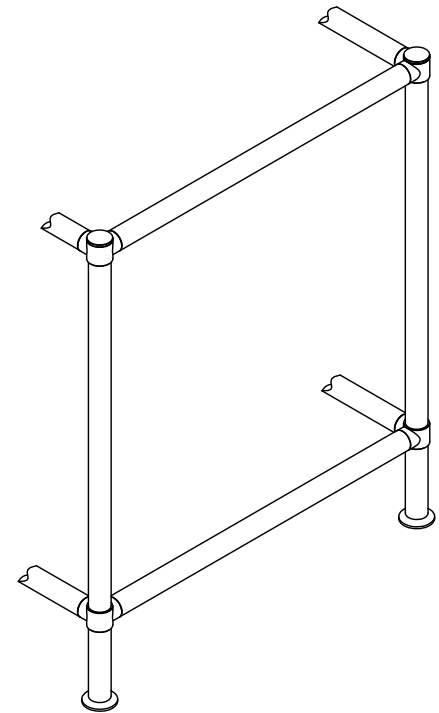


④ x 2

1 ▶



2 ▶



① x 2

② x 2

③ x 2

④ x 2